

excel



Free Wheel Pulley Handbook



DASKO'S MISSION STATEMENT.

The Dasko family is unreservedly committed to pro-actively support and care for every individual, group or company we associate with.

Dasko provides a safe, stable, happy and positive environment, that sets the tone for energetic, enthusiastic and explosive growth.

Dasko excels in an atmosphere of passion, performance and progress, facilitating satisfaction second to none, with every relationship.

Dasko Marketing NZ Limited
Free: 0508 432 756
Email: sales@dasko.co.nz
Web: www.dasko.co.nz

Dasko Auckland
7 David McCathie Place
Silverdale,
Auckland 0932
New Zealand
Tel: +64 9 280 4813
Fax: +64 9 442 1552

PH: 0508 432 756

www.excelauto.co.nz



It's what we do.

EDITION 1

FREE WHEEL CLUTCH PULLEY HANDBOOK

Contents

Vehicle Application Listing. 5

| | | | |
|---------------------------------|---|-------------------|----|
| ALFA ROMEO | 5 | MAZDA | 8 |
| AUDI | 5 | MERCEDES | 9 |
| BMW, MINI | 5 | MINI see BMW..... | 5 |
| CHRYSLER | 5 | MITSUBISHI | 10 |
| CITROEN | 6 | NISSAN | 11 |
| FIAT | 6 | OPEL | 11 |
| FORD | 7 | PEUGEOT | 12 |
| GM also check Opel, Isuzu | 7 | PORSCHE | 13 |
| HOLDEN | 7 | ROVER | 13 |
| HONDA | 7 | RENAULT | 13 |
| HYUNDAI | 7 | SAAB | 14 |
| ISUZU | 8 | SEAT | 14 |
| JAGUAR | 8 | SKODA | 14 |
| JOHN DEERE | 8 | SUBARU | 15 |
| KIA | 8 | SUZUKI | 15 |
| LANCIA | 8 | TOYOTA | 15 |
| LANDROVER | 8 | VOLKSWAGEN | 15 |
| LEXUS | 8 | VOLVO | 16 |

Free Wheel Alternator Pulley Illustrations. 19

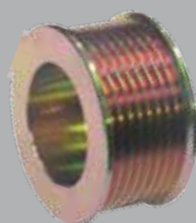
Cross Reference. 41

Alternator to Pulley Cross Reference. 43

Free Wheel Pulley Size Survey. 47

Standard Pulley Size Survey. 48

Pulley Removal Tools. 49



FREE WHEEL CLUTCH PULLEYS

Free Wheel clutch pulleys are used today on millions of automotive alternator applications globally.

The objective behind this innovative pulley is to reduce the inertia load generated by acceleration and deceleration of the engine, eliminate belt squeal noise and vibration relieving stress and inherent drive line pressures.

The one way clutch pulley allows the alternator rotor to coast to a stop at time of engine down.

Dasko offers an extensive range of alternator free wheel pulley removal tools to suit all makes of alternators as seen on page 49.

Take care in replacing any FW pulley to check that it is identical to the original part being replaced. Correct removal and installation is important to maintain trouble free operation and prevent any premature failures.

The quality Excel range of free wheel clutch pulleys is covered by a two year warranty from any manufacturing and material defects from time of purchase.



excel Vehicle Application Listing – Free Wheel Pulley

| Model | Engine | Year | Excel |
|--|-----------------------------------|-------------|-----------|
| ALFA ROMEO | | | |
| 145 (930), 146, 156 (932) | 1.9 JTD | 02/99>01/01 | PLY830100 |
| ALFA ROMEO Option | 2.4 TD | | PLY235696 |
| ALFA ROMEO Option | | | PLY235719 |
| ALFA ROMEO Option | | | PLY810146 |
| AUDI | | | |
| A3 (8L1) | 1.9 TDI | 09/96>07/01 | PLY230293 |
| A3 (8L1) | 1.9 TDI | 09/96>07/01 | PLY138203 |
| A4 (8D2, B5), Avant | 1.8 T, quattro | 12/97>11/00 | PLY237600 |
| A4 (8D2, B5), Avant | 1.9 TDI, quattro | 01/95>11/00 | PLY230293 |
| A4 (8D2, B5), Avant | 1.9 TDI, quattro | 01/95>11/00 | PLY230302 |
| A4 (8E2, B6), Avant, Cabriolet (8HT) | 1.6, 1.8T, quattro, 2.0, 2.4, 3.0 | 11/00> | PLY234795 |
| A4, A5 | 1.8, 2.0 TFS1 | | PLY840127 |
| A4, A5 | | | PLY840149 |
| A6 (4A, C4), Avant (4B, C5) Cabriolet (8G7, B4) | 1.9 TDI | 06/94> | PLY230293 |
| A6 (4A, C4), Avant (4B, C5) Cabriolet (8G7, B4) | 1.9 TDI | 06/94> | PLY230302 |
| A6 (4B, C5), Avant (4B, C5) Cabriolet (8G7, B4) | 1.8 T, quattro | 01/97> | PLY237600 |
| A6 Avant, Quattro | 2.4, 2.8, 3.0, 3.2 FSI | | PLY840139 |
| A6, A8 | 2.0 TFSI | | PLY840149 |
| A8 | 2.8 Quattro | | PLY840111 |
| Q5 | 2.0 TFSI | | PLY840127 |
| Q5 | | | PLY840149 |
| TT (8N3) | 1.8 T, quattro | 10/98> | PLY230293 |
| AUDI Option | | | PLY237320 |
| BMW | | | |
| MINI, Cooper, Clubman | | | PLY840120 |
| MINI | | | PLY840137 |
| 116 i, 118 i, 120 i E87, 316 i, 318 i, 320 i E46 | 1.6, 1.8, 2.0 | 09/02>05 | PLY233530 |
| 316 i, 318 i E46 | 1.6, 1.8, 2.0 | 03/02> | PLY238426 |
| Z4 2.0 i E85 | 2.0 | 03/05> | PLY233530 |
| X5 | 3.0 si | | PLY840118 |
| Motorcycle | | | PLY840151 |
| BMW Option | | | PLY234169 |
| CHRYSLER | | | |
| VOYAGER | 3.5 | | PLY840158 |
| VOYAGER II | 2.5 TDI | 01/98>03/01 | PLY230519 |
| JEEP | | | PLY840106 |
| JEEP | 1.8, 2.0, 2.4 | | PLY840159 |

| Model | Engine | Year | Excel |
|-----------------------------------|---------------------------------|-------------|-----------|
| CITROEN | | | |
| BERLINGO | 1.6 HDI | 09/05> | PLY234127 |
| BERLINGO | 2.0 HDI 90 | 12/99> | PLY234149 |
| C3, C5 | 1.4 16V HDI, 2.0 i HDI, 2.2 HDI | 02/02> | PLY230523 |
| C4, C5, C8, JUMPY, XSARA, PICASSO | 1.6 HDI, 2.0HDI, 2.2 HDI | 11/04> | PLY234127 |
| C5, C6 | 2.7 HDI | | PLY239914 |
| C5, C8 | 2.0 HDI, 2.2 HDI | 03/01> | PLY234149 |
| C5 | 2.2 HDI | 06/01> | PLY234794 |
| C8 | 2.0 HDI | 07/02> | PLY234794 |
| EVASION (22, U6) | 2.0 HDI | 08/99>07/02 | PLY230523 |
| EVASION (22, U6) | 2.0 HDI | 08/99>07/02 | PLY234149 |
| JUMPER (244, Z) | 2.0 HDI, 2.2 HDI | 04/02> | PLY234149 |
| JUMPER | 3.0D | | PLY840157 |
| JUMPY (U6U) | 2.0 HDI | 01/00> | PLY234149 |
| JUMPY (U6U) | 2.0 HDI | 03/00> | PLY230523 |
| XANTIA (X2) | 2.0 HDI 109 | 02/99> | PLY230523 |
| XANTIA (X2) | 2.0 HDI 109 | 02/99> | PLY234149 |
| XANTIA (X2, N1) | 2.0 HDI 90, 109 | 03/99> | PLY230523 |
| XSARA (N1) | 2.0 HDI 109, 90 | 05/01> | PLY234149 |
| XSARA Break (N2) Coupe (NO) | 2.0 HDI 109, 90 | 02/99> | PLY230523 |
| XSARA Break (N2) Coupe (NO) | 2.0 HDI 109 | 05/01> | PLY234149 |
| XSARA PICASSO (N68) | 2.0 HDI | 06/00> | PLY230523 |
| XSARA PICASSO (N68) | 2.0 HDI | 06/00> | PLY234149 |
| CITROEN Option | 2.2 HDI | | PLY330895 |
| FIAT | | | |
| BRAVA (182), MULTIPLA (186) | 1.9 JTD 105 | 12/98>10/01 | PLY830100 |
| DUCATO (230) (244) | 1.0 JTD | 10/01> | PLY234149 |
| DUCATO | 3.0D | | PLY840157 |
| PALIO, SIENNA, STRADA | | | PLY810140 |
| PANDA, 4X4, PUNTO | 1.3 JTD | 09/03> | PLY236995 |
| PUNTO (188) | 1.9 DS 60, JTD 80 | 09/99> | PLY830100 |
| SCUDO (220) | 2.0 JTD | 12/99> | PLY234149 |
| ULYSSE (179), (220) | 2.0 JTD | 10/99> | PLY234149 |
| FIAT Option | 2.4 TD | | PLY235696 |
| FIAT Option | | | PLY235719 |
| FIAT Option | JTD | | PLY330221 |
| FIAT Option | 2.4 TD | | PLY840105 |
| FIAT Option | | | PLY840152 |
| FIAT Option | 1.4 Fire | | PLY840156 |

excel Vehicle Application Listing – Free Wheel Pulley

| Model | Engine | Year | Excel |
|-------------------------------------|-----------------------|--------|-----------|
| FORD | | | |
| FOCUS | 1.8 | | PLY237619 |
| FOCUS | 1.8 D | | PLY840102 |
| FOCUS | 1.6, 2.0 TDCI | | PLY237610 |
| FOCUS | 1.8D Pulley/Decoupler | | PLY840167 |
| TRANSIT Bus (FD Y,FB Y,FS Y,FZ Y) | 2.3 16V | 04/01> | PLY235476 |
| TRANSIT | 2.4 DI, TDCI, TDE | 01/01> | PLY233657 |
| TRANSIT Option | | | PLY814102 |
| MONDEO III | | | PLY234401 |
| MONDEO IV | 2.0SCTI | | PLY840140 |
| MONDEO ST220 | V6 | 02> | PLY235479 |
| FORD Option | | | PLY230308 |
| FORD Option | | | PLY235157 |
| FORD Option | | | PLY235503 |
| FORD Option | | | PLY235720 |
| FORD Option | | | PLY330356 |
| FORD Option | | | PLY814103 |
| GM | | | |
| GM Option | | | PLY230526 |
| GM Option | | | PLY234659 |
| GM Option | | | PLY810150 |
| GM Option | | | PLY810154 |
| HONDA | | | |
| ACCORD VII, IX, CIVIC VIII, CR-V II | 2.2 CTDI | | PLY840142 |
| HOLDEN | | | |
| COMMODORE SS, Clubsport | 5.7, 6.0, GEN III V8 | | PLY840144 |
| HYUNDAI | | | |
| i10, i20, i30 | | | PLY840115 |
| ACCENT | 1.5 CRDI | 01>03 | |
| ELANTRA (XD) | 2.0 CRDI | 04/01> | PLY233990 |
| GETZ | 1.5 CRDI | 03> | PLY237500 |
| SANTA F (SM) | 2.0 CRDI | 08/01> | PLY233990 |
| SANTA F (SM) | 2.0 CRDI 4X4 | 04/01> | PLY233990 |
| SONATA | 2.0 VVTI, 2.4 | | PLY840136 |
| TRAJET (FO) | 2.0 CRDI | 04/01> | PLY233990 |
| HYUNDAI Option | | | PLY237674 |

| Model | Engine | Year | Excel |
|-------------------------|-------------------|-------------|-----------|
| ISUZU | | | |
| TROOPER | 3.0 DTI | 04/00> | PLY840101 |
| ISUZU Option | | | PLY238690 |
| JAGUAR | | | |
| S TYPE | 2.7 V6 | | PLY840123 |
| S TYPE | | | PLY840113 |
| S TYPE | 3.6 24V V6 | | PLY840134 |
| XJ40 | 4.0 32V V8 | | PLY840134 |
| JOHN DEERE | | | |
| 5000, 6000, 7000 Series | | | PLY840121 |
| KIA | | | |
| CARNIVAL | 2.9 TDI 16V | 08/99>10/01 | PLY230527 |
| LYBRA (839AX) | 1.9 JTD | 07/99>09/00 | PLY830100 |
| MAGENTIS | 2.0 | | PLY840136 |
| SHUMA | 1.5 i, 1.8i | 10/97> | PLY230527 |
| SORENTO | 2.5TD | 02> | PLY237674 |
| SORENTO | 2.5 CRDI | | PLY840133 |
| PHEDRA | 2.0 JTD | 09/02> | PLY234149 |
| ZETA | 2.0 JTD | 09/99>09/02 | PLY234149 |
| KIA Option | 1.3 JTD | 10/03> | PLY236995 |
| KIA Option | | | PLY230308 |
| KIA Option | | | PLY234867 |
| LANCIA | | | |
| LANCIA Option | JTD | | PLY235719 |
| LANCIA Option | JTD | | PLY830100 |
| LANDROVER | | | |
| LANDROVER Option | 2.7 V6 | | PLY840123 |
| LEXUS | | | |
| ES350, GS, IS, RX. | 3.0, 3.5, 4.3 24V | | PLY840143 |
| MAZDA | | | |
| 626 | 2.5 | 93>00 | PLY230308 |
| ALTENZA | 2.3 | 03> | PLY235424 |
| MAZDA 3 | 1.6 | | PLY237610 |
| MAZDA 6 | 2.0 DI | 08/02> | PLY238068 |
| MAZDA 6 | 2.3 | 03>05 | PLY235424 |

excel Vehicle Application Listing – Free Wheel Pulley

| Model | Engine | Year | Excel |
|--------------|--------|--------|-----------|
| MAZDA 6 | 2.3 | 06>09 | PLY840110 |
| MPV II | 2.0 DI | 07/02> | PLY238068 |
| MPV | 2.5 | 00>01 | PLY234867 |
| MPV | 2.5 | 00>01 | PLY230308 |
| MX3 | 1.8 | 92>96 | PLY230308 |
| MX6 | 2.5 | 93>97 | PLY230308 |
| MAZDA Option | | | PLY234794 |
| MAZDA Option | | | PLY840150 |

MERCEDES

| | | | |
|------------------------------|---|-------------|-----------|
| A-class (W168) | A 160 CDI (168.007), A170 (168.008) | 07/98>02/01 | PLY233847 |
| A-class (W168) | A 160 CDI (168.007), A170 (168.008) | 07/98>02/01 | PLY840135 |
| A-class (W168) | A 160 CDI (168.007), A170 (168.008) | 07/98>02/01 | PLY230297 |
| A-class (W168) | A 190 (168.032, 168.132) | 03/99> | PLY230310 |
| C-class (W202) | C 200 CDI (202.134), C220 (202.133) | 03/98>05/00 | PLY810110 |
| C-class (W202) | C 200 CDI (202.134), C220 (202.133) | 03/98>05/00 | PLY230292 |
| C-class (W202) | C 200 CDI (202.134) | 03/98>05/00 | PLY810116 |
| C-class T-Model (T202) | C 200 T CDI (202.194, .193) | 03/98>03/01 | PLY810110 |
| C-class T-Model (T202) | C 200 T CDI (202.194, .193) | 03/98>03/01 | PLY230292 |
| C-class T-Model (T202) | C 200 T D (202.180, .132, .188) | 10/96>03/01 | PLY138073 |
| C-class (W203), (T203) | C 200 CDI (646.962), C220 | 03/03> | PLY234796 |
| CLK (C209) | CLK 200 Kompressor | 09/02> | PLY234793 |
| CLK (C209) | CLK CDI COUPE | 04/05> | PLY234796 |
| E-class (W210) | E 200 CDI | 06/98>07/99 | PLY230292 |
| E-class (W210) | E 200 D, E250D, E250TD | 01/96>03/00 | PLY138073 |
| E-class (W210) | E 270 CDI | 07/99>03/02 | PLY810110 |
| E-class (W210) | E 290 Turbo-D, E300D, E300TD | 03/96>07/99 | PLY138073 |
| E-class (W211) | E 200 Kompressor | 11/02> | PLY234793 |
| E-class (W211) | E 200 CDI (646.951), E220 (646.961) | 07/02> | PLY234796 |
| E-class (W211) | E 270 CDI (647.961), E320 (648.961) | 03/02>03/05 | PLY234796 |
| E-class T-Model (S210) | E 220 T CDI | 06/98>07/99 | PLY230292 |
| E-class T-Model (S210) | E 250 T D (210.210, .215) | 06/96>07/99 | PLY138073 |
| E-class T-Model (S210) | E 270 T CDI (210.216) | 07/99> | PLY810110 |
| E-class T-Model (S210) | E 290 T Turbo-D (210.217), E300TD (210.255) | 06/96>07/99 | PLY138073 |
| G-class (W461) | 290 GD/G 290 D, TD,(461.335) | 04/92> | PLY138073 |
| G-class (W463) | G 300 TD (463.308) | 08/96> | PLY138073 |
| G-class (W463) | G 400 CDI (463.309), S400 CDI | 12/00> | PLY230311 |
| S-class (W220) | S 320 CDI | 09/02>08/05 | PLY234796 |
| V-class (638/2) | V 230 TD (638.274) | 09/96> | PLY138807 |
| SPRINTER 2-t (901, 902, 903) | 208, 211, 213, 216 CDI | 04/00> | PLY810116 |

| Model | Engine | Year | Excel |
|-------------------------|------------------------------|-------------|-----------|
| SPRINTER 2-t (901, 902) | 308, 311, 313, 316 CDI | 04/00> | PLY810116 |
| SPRINTER 4-t (904) | 408, 411, 413, 416 CDI | 04/00> | PLY810116 |
| VARIO | 612 D, 815 D | 09/96> | PLY235478 |
| VARIO | 614 D, 615 D, 812 DT | 09/96> | PLY810602 |
| VARIO | 814 D, 815 D | 09/96> | PLY810602 |
| VIANO (639) | CDI 2.0, CDI 2.2 | 09/03> | PLY810116 |
| VITO Bus (638) | 108 CDI 2.2, 110 CDI 2.2 | 03/99> | PLY230292 |
| VITO Bus (638) | 108 D 2.3, 110 D 2.3 | 02/96> | PLY138807 |
| VITO Bus (638) | 112 CDI 2.2 | 03/99> | PLY230296 |
| VITO (638, 639) | 109 CDI 2.1 | 10/03> | PLY810116 |
| ACTROSS | | | PLY840114 |
| ATEGO I | 712, 714, 715, 717 | 01/98> | PLY810601 |
| ATEGO I | 712, 714, 715, 717 | 01/98> | PLY810602 |
| ATEGO I | 812, 815, 817, 823, 917, 923 | 01/98> | PLY810601 |
| ATEGO I | 812, 815, 817, 823, 917, 923 | 01/98> | PLY810602 |
| ATEGO I | 1017, 1023, 1215, 1217 | 01/98> | PLY810601 |
| ATEGO I | 1017, 1023, 1215, 1217 | 01/98> | PLY810602 |
| ATEGO I | 1223, 1228, 1317, 1323, 1328 | 01/98> | PLY810601 |
| ATEGO I | 1223, 1228, 1317, 1323, 1328 | 01/98> | PLY810602 |
| ATEGO I | 1517, 1523, 1823, 1828 | 01/98> | PLY810601 |
| ATEGO I | 1517, 1523, 1528, 1823, 1828 | 01/98> | PLY810602 |
| ATEGO II | 2523, 2528, 2628 | 05/98>09/04 | PLY810601 |
| ATEGO II | 2523, 2528, 2628 | 05/98>09/04 | PLY810602 |
| AXOR | 1823, 2523, 2528 | 01/02> | PLY810601 |
| AXOR | 2623, 2628, 3228 | 01/02> | PLY810601 |
| LK / LN2 | 711, 811, 814, 817, 917 | 03/96>12/98 | PLY810601 |
| LK / LN2 | 1117, 1317, 1517 | 03/96>12/98 | PLY810601 |
| MERCEDES Option | | | PLY233847 |
| MERCEDES Option | | | PLY235508 |
| MERCEDES Option | | | PLY235697 |
| MERCEDES Option | | | PLY235721 |
| MERCEDES Option | | | PLY238339 |
| MERCEDES Option | | | PLY815114 |
| MERCEDES Option | | | PLY235812 |
| MERCEDES Option | | | PLY840155 |
| MITSUBISHI | | | |
| CARISMA (DA_) | 1.9 DI-D | 09/00> | PLY230522 |
| CARISMA (DA_) | 1.9 DI-D | 09/00> | PLY233590 |
| PAJERO | | | PLY840130 |
| SPACE STAR | 1.9 DI-D | 02/01> | PLY230524 |

excel Vehicle Application Listing – Free Wheel Pulley

| Model | Engine | Year | Excel |
|-------------------|----------|--------|-----------|
| SPACE STAR (DG0) | 1.9 DI-D | 02/01> | PLY230522 |
| SPACE STAR (DG0) | 1.9 DI-D | 02/01> | PLY233590 |
| MITSUBISHI Option | | | PLY230308 |
| MITSUBISHI Option | | | PLY234867 |
| MITSUBISHI Option | | | PLY238068 |
| MITSUBISHI Option | | | PLY840145 |

NISSAN

| | | | |
|--------------------|---------|--------|-----------|
| ALTIMA | 2.5 | 02>04 | PLY233989 |
| ALMERA | 1.5 TD | 03> | PLY230309 |
| NAVARA D22 | YD25DDT | 00> | PLY840117 |
| NAVARA D22 | 3.0 DTI | 05/00> | PLY230521 |
| NAVARA Pathfinder | 2.5 TD | | PLY840129 |
| MICRA | | | PLY230309 |
| MICRA | 1.5 TD | 03> | PLY230307 |
| PATROL GR II (Y61) | 3.0 DTI | 05/00> | PLY230521 |
| PRIMERA | 2.5 TD | 01> | PLY840128 |
| SENTRA | 2.5 | 02>04 | PLY233989 |
| NISSAN Option | | | PLY230313 |
| NISSAN Option | | | PLY815102 |
| NISSAN Option | | | PLY840119 |
| NISSAN Option | | | PLY840154 |

OPEL

| | | | |
|--------------|-------------------|--------|-----------|
| ASTRA | | | PLY330921 |
| ASTRA G | 1.4, 1.6, 1.8 16V | 09/98> | PLY236762 |
| CORSA C | 1.4, 1.8 | 09/00> | PLY236762 |
| CORSA Option | | | PLY236995 |
| SIGNUM | 1.8 | 05/03> | PLY236762 |
| SIGNUM | 3.0 V6 CDTI | 05/03> | PLY840101 |
| VECTRA | 2.0, 2.2 16V | | PLY840112 |
| VECTRA C | 1.6, 1.8 16V | 06/04> | PLY236762 |
| VECTRA C | 3.0 V6 CDTI | 06/03> | PLY840101 |
| ZAFIRA | 1.6, 1.8 16V | 04/99> | PLY236762 |
| MOVANO | 1.9 DTI | 10/01> | PLY230524 |
| MOVANO | 1.9 DTI | 10/01> | PLY233590 |
| VIVARO | 1.9 DI | 08/01> | PLY230524 |
| VIVARO Combi | 1.9 DI | 08/01> | PLY233590 |
| OPEL Option | | | PLY230526 |
| OPEL Option | | | PLY237280 |
| OPEL Option | | | PLY238690 |

| Model | Engine | Year | Excel |
|-------------|--------|------|-----------|
| OPEL Option | | | PLY810127 |
| OPEL Option | | | PLY810152 |
| OPEL Option | | | PLY810153 |
| OPEL Option | | | PLY810155 |
| OPEL Option | | | PLY840153 |

PEUGEOT

| | | | |
|-------------------------------|---------------------|-------------|-----------|
| 206 | 1.4 HDI, 2.0 HDI | 09/01> | PLY230523 |
| 206, CC, SW | 1.6 HDI | 05/04> | PLY234127 |
| 206, SW | 2.0 HDI | 04/99> | PLY234127 |
| 206 | 2.0 HDI | 12/99> | PLY234149 |
| 206 | 2.0 HDI | 12/99> | PLY230523 |
| 306 (7E, N3, N5, 713, 74, 76) | 2.0 HDI | 06/99> | PLY230523 |
| 306 | 2.0 HDI | 06/99> | PLY234149 |
| 307 | 1.4 HDI | 10/01> | PLY230523 |
| 307 | 1.6 HDI | 06/05> | PLY234127 |
| 307 | 2.0 HDI | 08/00> | PLY234127 |
| 307 | 2.0 HDI | 08/00> | PLY230523 |
| 307 | 2.0 HDI | 08/00> | PLY234149 |
| 406 | 2.0 HDI, 2.2 HDI | 02/99> | PLY230523 |
| 406 | 2.0 HDI, 2.2 HDI | 02/99>05/04 | PLY234149 |
| 406 | 2.0 HDI | 02/99>05/04 | PLY234794 |
| 407, SW | 1.6 HDI, 2.0 HDI | 05/04> | PLY234127 |
| 407. 607 | 2.7 HDI | | PLY239914 |
| 607 | 2.2 HDI | 12/04> | PLY234127 |
| 607 | 2.2 HDI | 02/00> | PLY234149 |
| 607 | 2.2 HDI | 02/00> | PLY230523 |
| 806 (221) | 2.0 HDI | 08/99> | PLY234149 |
| 806 (221) | 2.0 HDI | 08/99>08/00 | PLY234794 |
| 806 (221) | 2.0 HDI | 08/99>08/02 | PLY230523 |
| EXPERT (222, 224) | 1.9 Diesel, 2.0 HDI | 09/01> | PLY234127 |
| EXPERT (222, 224) | 2.0 HDI | 07/00> | PLY234149 |
| EXPERT (222) | 2.0 HDI | 07/00> | PLY234794 |
| EXPERT (222, 224) | 2.0 HDI | 07/00> | PLY230523 |
| PARTNER Combispace (5F) | 2.0 HDI | 02/00> | PLY230523 |
| PARTNER Combispace (5F) | 2.0 HDI | 02/00> | PLY234149 |
| PEUGEOT Option | 2.2 HDI | | PLY330895 |

excel Vehicle Application Listing – Free Wheel Pulley

| Model | Engine | Year | Excel |
|----------------------------------|----------------------------------|-------------|-----------|
| PORSCHE | | | |
| 911 (996) | 3.4 Carrera | 09/97> | PLY230315 |
| 911 (996) | 3.4 Carrera 4 | 06/97> | PLY230315 |
| 911 (996) | 3.6 Turbo 4 | 06/00> | PLY230315 |
| CAYENNE | | | PLY237263 |
| PORSCHE Option | 2.2 HDI | | PLY235439 |
| ROVER | | | |
| ROVER Option | | | PLY235720 |
| RENAULT | | | |
| CLIO, KANGOO | | | PLY235505 |
| SPACE IV | 3.0 DCI | 11/02> | PLY840101 |
| LAGUNA B56, B74 | 1.9 DCI | 09/99>03/01 | PLY230524 |
| LAGUNA (B56_B56_, B74, K56, K74) | 1.9 DCI (B56W) | 09/99> | PLY233590 |
| LAGUNA II | 1.9 DCI | | PLY237355 |
| MASTER II | 1.9 DCI | 11/01> | PLY230524 |
| MASTER II (FD) | 1.9 DCI | 11/01> | PLY233590 |
| MEGANE Classic, Coach, Grandtour | 1.9 DCI (LA05, LA1F, DA05, KA05) | 02/01> | PLY230522 |
| MEGANE | 1.5 | 02/09 | PLY238733 |
| MEGANE Option | | | PLY231584 |
| MODUS | 1.5 DCI | | PLY810126 |
| SCENIC (JA) | 1.9 DCI (JA05, JA1F) | 11/00> | PLY230522 |
| SCENIC | 1.5 | 2002>2009 | PLY238733 |
| TRAFIC (FL) | DCI 80, 100 | 03/01> | PLY233590 |
| TRAFIC 80, 100 | 1.9 DCI | 03/01> | PLY230524 |
| TWINGO | | | PLY330339 |
| VEL SATIS | 3.0 DCI | 06/02> | PLY840101 |
| RENAULT Option | | | PLY815101 |
| RENAULT Option | | | PLY230313 |
| RENAULT Option | | | PLY235505 |
| RENAULT Option | | | PLY236733 |
| RENAULT Option | | | PLY238734 |
| RENAULT Option | | | PLY330200 |
| RENAULT Option | | | PLY815102 |
| RENAULT Option | | | PLY840164 |
| RENAULT Option | | | PLY840165 |

| Model | Engine | Year | Excel |
|---------------------|--------------------|-------------|-----------|
| SAAB | | | |
| 9-5 | 2.0, 2.3 Turbo | | PLY840126 |
| 9-5 | 2.0 TID | | PLY840166 |
| 9-5 (YS3E) | 3.0 TID | 07/01> | PLY840101 |
| SAAB Option | | | PLY237280 |
| SAAB Option | | | PLY810127 |
| SAAB Option | | | PLY810153 |
| SAAB Option | | | PLY810155 |
| SEAT | | | |
| ALHAMBRA (7V8, 7V9) | 1.8 T 20V, 1.9 TDI | 10/97> | PLY230293 |
| AROSA (6H) | 1.7 SDI | 08/97> | PLY138282 |
| AROSA (6H) | 1.7 SDI | 08/97> | PLY230309 |
| CORDOBA (6K2) | 1.9 TDI | 06/96>10/02 | PLY230293 |
| CORDOBA (6K2) | 1.9 TDI | 06/96>10/02 | PLY230302 |
| CORDOBA (6K2) | 1.9 TDI, SDI | 06/93>10/02 | PLY139281 |
| CORDOBA (6K2/C2) | 1.9 SDI | 08/96>06/99 | PLY230309 |
| IBIZA II (6K1) | 1.9 TDI | 08/96>08/99 | PLY230309 |
| IBIZA II (6K1), III | 1.9 TDI | 08/96>08/02 | PLY230293 |
| IBIZA II (6K1), III | 1.9 TDI | 08/96>08/99 | PLY230302 |
| IBIZA III (6K1) | 1.9 TDI | 08/99>02/02 | PLY230302 |
| LEON (1M1) | 1.9 TDI | 11/99> | PLY230293 |
| TOLEDO I (1L) | 1.9 TDI | 08/95>03/99 | PLY230293 |
| TOLEDO I (1L) | 1.9 TDI | 11/96>03/99 | PLY230302 |
| TOLEDO II (1M2) | 1.9 TDI | 04/99> | PLY230293 |
| TOLEDO II (1M2) | 2.3 V5 | 04/99>05/01 | PLY230293 |
| SEAT Option | | | PLY235695 |
| SKODA | | | |
| FELICIA I (791) | 1.9 D | 10/95>03/98 | PLY138282 |
| FELICIA I Fun (797) | 1.9 D | 06/97> | PLY138282 |
| FELICIA Kombi (795) | 1.9 D | 10/95>03/98 | PLY138282 |
| OCTAVIA (1U2) | 1.9 SDI | 06/97> | PLY138203 |
| OCTAVIA (1U2) | 1.9 SDT | 09/96> | PLY138203 |
| OCTAVIA (1U2) | 1.9 TDI | 09/96> | PLY230293 |
| OCTAVIA (1U2) | 1.9 TDI | 09/96> | PLY138203 |
| OCTAVIA (1U2) | 1.9 TDI | 08/97> | PLY138203 |
| OCTAVIA Combi (1u5) | 1.9 SDI | 07/98> | PLY138203 |
| OCTAVIA Combi (1u5) | 1.9 TDI | 07/98> | PLY138203 |
| OCTAVIA Combi (1u5) | 1.9 TDI | 07/98> | PLY230293 |
| OCTAVIA Combi (1u5) | 1.9 TDI | 07/98> | PLY138203 |

excel Vehicle Application Listing – Free Wheel Pulley

| Model | Engine | Year | Excel |
|--|-------------------|---------------|-----------|
| SKODA Option | | | PLY234659 |
| SKODA Option | | | PLY235695 |
| SUBARU | | | |
| FORESTER, IMPREZA, LEGACY, OUTBACK | 2.0 D | | PLY840138 |
| SUZUKI | | | |
| VITARA | 2.0 TDI | 01 > | PLY234149 |
| JIMMY | 2.0 TDI | | PLY840131 |
| TOYOTA | | | |
| AVALON, PREVIA, RAV 4 III, TARAGO, CAMRY | 2GRFE 3.5VVTI | | PLY840143 |
| AVENSIS | 2.0L | 01 > | PLY236332 |
| CAMRY | 2.4 | 07 > 09 | PLY840124 |
| COROLLA | 1.4D | | PLY840162 |
| COROLLA | 1.6L, 2.0L | 01 > | PLY236332 |
| COROLLA | | | PLY840163 |
| HIACE | 2TRFE 2.7 | | PLY840143 |
| HILUX, 4 RUNNER, LANDCRUISER | IGRFE 4.0 VVTI | | PLY840143 |
| LANDCRUISER | IKDFTV, IKZTE 3.0 | | PLY840146 |
| RAV4 | 2.0 TD | 01 > | PLY236332 |
| YARIS, ECHO | 1.4D | | PLY840141 |
| YARIS | 1.4D | | PLY840147 |
| YARIS | 1.4 | 01 > | PLY237582 |
| HIACE, HILUX | 1KZ | | PLY840148 |
| TOYOTA Option | | | PLY840160 |
| VOLKSWAGEN | | | |
| BORA 1J2) | 1.9 TDI, 2.0 | 10/98 > 06/01 | PLY230293 |
| BORA 1J2) | 1.9 TDI | 12/98 > 06/01 | PLY230302 |
| BORA 1J2) | 2.3 V5 | 10/98 > | PLY230293 |
| BORA 1J2) | 2.3 V5 | 10/98 > 10/00 | PLY230306 |
| CADDY II (9K9) | 1.9 TDI | 09/96 > | PLY230293 |
| CADDY II (9K9) | 1.9 TDI | 09/96 > | PLY139281 |
| CADDY II Pick-up (9U7) | 1.9 D | 10/97 > | PLY230309 |
| FOX | | | PLY234659 |
| GOLF III (1H1) | 1.9 D, TDI | 11/91 > 08/97 | PLY139281 |
| GOLF III (1H1) | 1.9 TDI | 09/93 > 08/97 | PLY230293 |
| GOLF III (1H1) | 1.9 TDI | 09/93 > 08/97 | PLY230302 |
| GOLF IV (1J1) | 2.0, 1.9 SDI, TDI | 08/97 > | PLY230293 |
| GOLF IV (1J1) | 2.3 V5 | 08/97 > 10/00 | PLY230306 |

| Model | Engine | Year | Excel |
|---------------------------|-------------------------|--------------|------------------|
| LUPO (6X1, 6E1) | 1.7 SDI | 09/98> | PLY230309 |
| NEW BEETLE (9C1, 1C1) | 1.9 TDI | 01/98>02/01 | PLY138203 |
| PASSAT (3B2, 3B5) | 1.8 Syncro 4 Motion | 10/96>11/00 | PLY237600 |
| PASSAT (3B2, 3B5) | 1.9 TDI | 10/96>11/00 | PLY230293 |
| PASSAT (3B2, 3B5) | 1.9 TDI | 08/98>11/00 | PLY230083 |
| PASSAT (3B2, 3B5) | 2.3 VR5 Syncro 4 Motion | 10/97>11/00 | PLY230306 |
| PASSAT Variant (3A5, 35I) | 1.9 TDI | 03/96>/05/97 | PLY139281 |
| PASSAT Variant (3B5) | 1.9 TDI | 06/97>11/00 | PLY230302 |
| POLO (6N1) | 64 1.9 D | 10/94>10/99 | PLY230309 |
| POLO CLASSIC (6KV2) | 90, 110 1.9 TDI | 06/98>09/01 | PLY139281 |
| POLO Variant (6KV5) | 1.7 SDI, 1.9 TDI | 08/97>09/01 | PLY139281 |
| POLO Variant (6KV5) | 1.9 TDI | 05/97>09/01 | PLY230293 |
| POLO Variant (6KV5) | 1.9 TDI | 06/98>09/01 | PLY230302 |
| POLO Option | | | PLY234659 |
| SHARAN (7M8, 7M9) | 1.8 T 20V | 09/97> | PLY138203 |
| SHARAN (7M8, 7M9) | 1.9 TDI | 09/95> | PLY230293 |
| SHARAN (7M8, 7M9) | 1.9 TDI | 09/95> | PLY230302 |
| SHARAN (7M8, 7M9) | 1.9 TDI | 09/96>04/00 | PLY139281 |
| SHARAN (7M8, 7M9) | 2.8 VR6 Syncro | 11/96>04/00 | PLY139281 |
| TRANSPORTER IV | 2.5 TDI | 05/98> | PLY234675 |
| TOUAREG | | | PLY237263 |
| VENTO (1H2) | 1.9 TDI | 04/96>09/98 | PLY230293 |
| VENTO (1H2) | 1.9 TDI | 04/96>09/98 | PLY230302 |
| VW Option | | | PLY235331 |
| VW Option | | | PLY235506 |
| VW Option | | | PLY235507 |
| VW Option | | | PLY235695 |
| VW Option | | | PLY236531 |

VOLVO

| | | | |
|----------|-----------------------------|-------------|------------------|
| S40 (VS) | 1.9 DI | 07/00> | PLY230522 |
| S40 (VS) | 1.9 DI | 07/00> | PLY233590 |
| S60 | 2.4 | 11/00> | PLY230296 |
| S60 | 2.4 T, 2.5 | 11/00> | PLY230296 |
| S60 II | 2.0 T | | PLY840140 |
| S70 | 2.0, 2.3 T5 | 01/97>11/00 | PLY230314 |
| S70 | 2.4 Turbo, 2.5 | 01/97>11/00 | PLY230314 |
| S70 | 2.0 20V, 2.5 TDI | 01/97>11/00 | PLY230296 |
| S70 | 2.3 Turbo, 2.4 20V, 2.5 20V | 01/97>11/00 | PLY230296 |
| S70 | 2.5 TDI | 01/97>11/00 | PLY139281 |
| S80 II | 2.0 T | | PLY840140 |

excel Vehicle Application Listing – Free Wheel Pulley

| Model | Engine | Year | Excel |
|----------------------|-------------------------|-------------|-----------|
| V60 III | 2.0 T | | PLY840140 |
| V70 I SW | 2.0, T, T5 | 01/97>03/00 | PLY230314 |
| V70, XC70 | 3.0, 3.2 T6, Turbo | | PLY840125 |
| V70 III | 2.0 T | | PLY840140 |
| C70 Cabriolet | 2.0, 2.3, 2.5T T5 | 03/00> | PLY230314 |
| C70 Cabriolet, Coupe | 2.0 20V T, T5, 2.5T 20V | 03/98> | PLY230296 |
| C70 Coupe | 2.3 T5, 2.3 T5, 2.5 T | 03/97>09/02 | PLY230314 |
| XC90 | 2.5 T, D5 | 10/02> | PLY230296 |
| XC60, XC70 | 2.0T | | PLY840140 |
| VOLVO Option | 1.6, 2.0 | | PLY237610 |
| VOLVO Option | 2.4, 2.5 | | PLY331651 |
| VOLVO Option | 2.5D | | PLY840161 |
| VOLVO Option | | | PLY235732 |

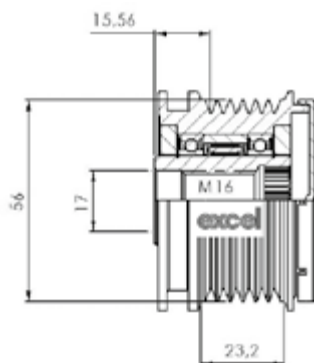


PLY138073

Dimensions (mm)
ID: 17.00 OD: 61.00 W: 37.70

Belt Type
6 Rib

Application
MERCEDES

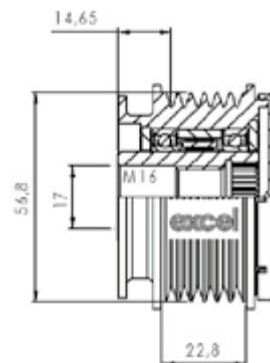


PLY138203

Dimensions (mm)
ID: 17.00 OD: 61.00 W: 42.45

Belt Type
6 Rib

Application
AUDI, SEAT SKODA, VW

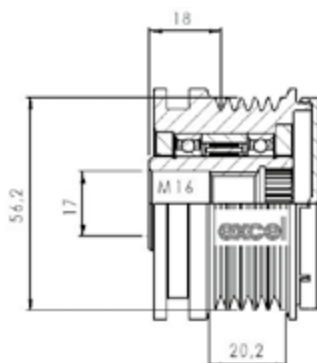


PLY138282

Dimensions (mm)
ID: 17.00 OD: 61.00 W: 37.20

Belt Type
5 Rib

Application
SEAT, SKODA, VW

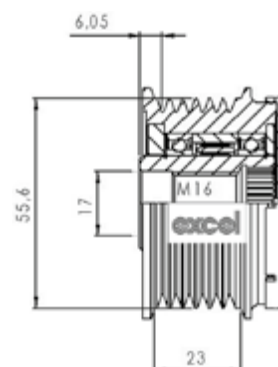


PLY138807

Dimensions (mm)
ID: 17.00 OD: 61.00 W: 35.70

Belt Type
6 Rib

Application
MERCEDES, SSANG YONG

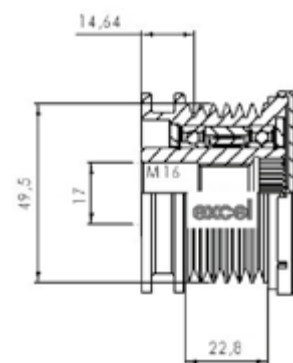


PLY139281

Dimensions (mm)
ID: 17.00 OD: 61.00 W: 37.20

Belt Type
6 Rib

Application
SEAT, SKODA, VW

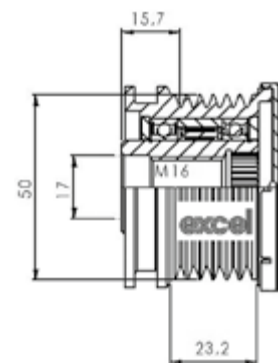


PLY230292

Dimensions (mm)
ID: 17.00 OD: 55.00 W: 40.50

Belt Type
6 Rib

Application
MERCEDES

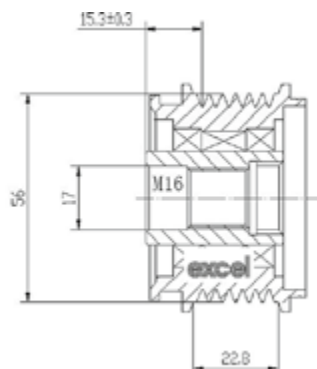


PLY230293

Dimensions (mm)
ID: 17.00 OD: 61.00 W: 45.00

Belt Type
6 Rib

Application
AUDI, FORD, SEAT, SKODA, VW

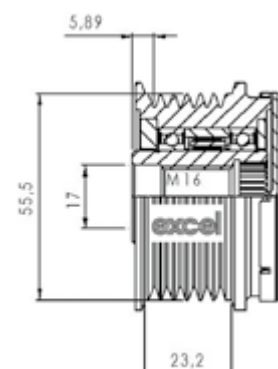


PLY230296

Dimensions (mm)
ID: 17.00 OD: 61.00 W: 37.80

Belt Type
6 Rib

Application
VOLVO

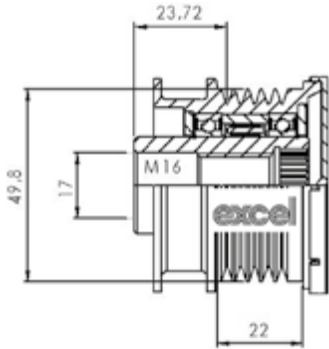


PLY230297

Dimensions (mm)
ID: 17.00 OD: 55.00 W: 49.55

Belt Type
5 Rib

Application
MERCEDES CLASSE A 160-170
CDI

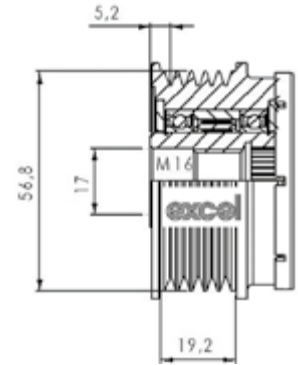


PLY230302

Dimensions (mm)
ID: 17.00 OD: 61.00 W: 35.00

Belt Type
5 Rib

Application
AUDI, VW

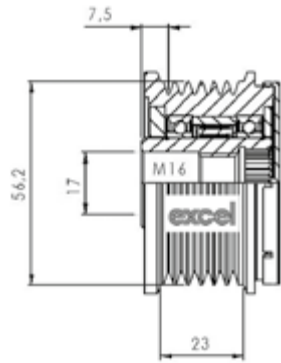


PLY230306

Dimensions (mm)
ID: 17.00 OD: 61.00 W: 36.50

Belt Type
6 Rib

Application
VW

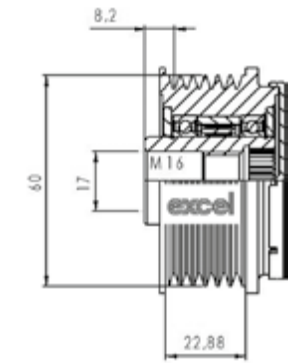


PLY230308

Dimensions (mm)
ID: 17.00 OD: 65.50 W: 38.50

Belt Type
6 Rib

Application
FORD, KIA, MAZDA, MITSUBISHI

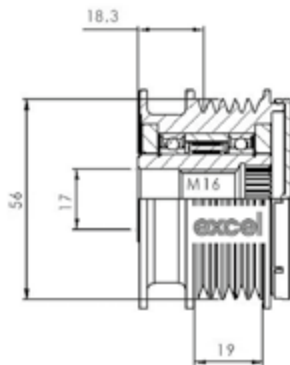


PLY230309

Dimensions (mm)
ID: 17.00 OD: 61.00 W: 37.20

Belt Type
5 Rib

Application
SEAT, VW

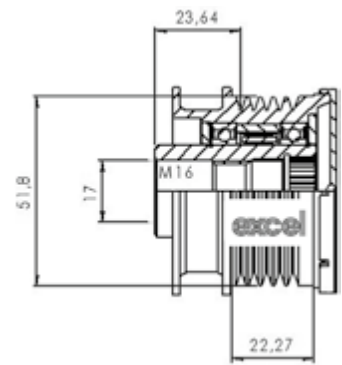


PLY230310

Dimensions (mm)
ID: 17.00 OD: 57.00 W: 49.55

Belt Type
5 Rib

Application
MERCEDES

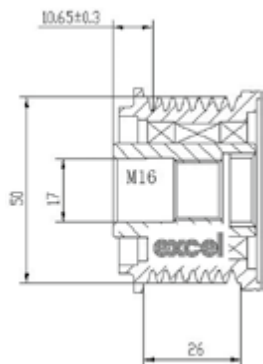


PLY230311

Dimensions (mm)
ID: 17.00 OD: 55.00 W: 40.00

Belt Type
7 Rib

Application
AUDI, VW

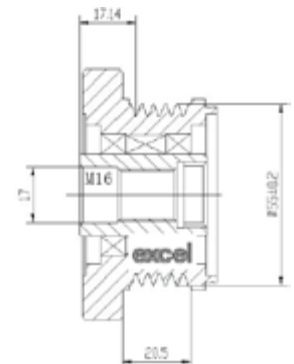


PLY230313

Dimensions (mm)
ID: 17.00 OD: 55.00

Belt Type
5 Rib

Application
NISSAN, RENAULT

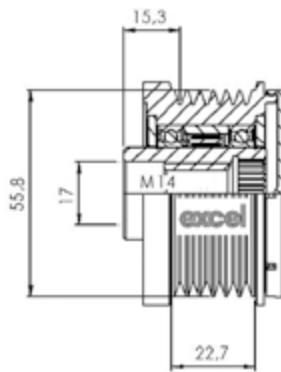


PLY230314

Dimensions (mm)
ID: 17.00 OD: 60.16 W: 43.10

Belt Type
6 Rib

Application
VOLVO

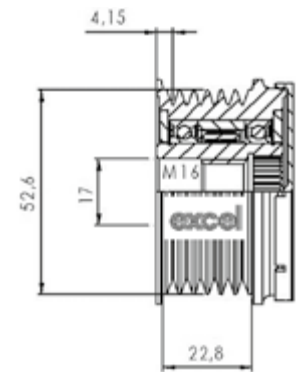


PLY230315

Dimensions (mm)
ID: 17.00 OD: 58.00 W: 35.00

Belt Type
6 Rib

Application
PORSCHE BOXSTER

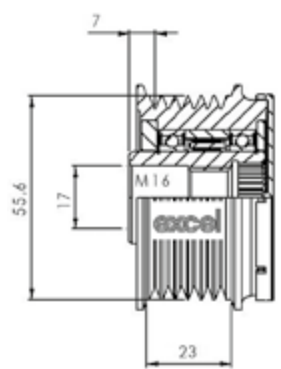


PLY230519

Dimensions (mm)
ID: 17.00 OD: 61.00 W: 37.60

Belt Type
6 Rib

Application
CHRYSLER

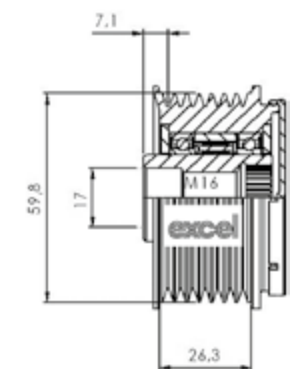


PLY230521

Dimensions (mm)
ID: 17.00 OD: 64.00 W: 40.60

Belt Type
7 Rib

Application
NISSAN PATROL, TERRANO

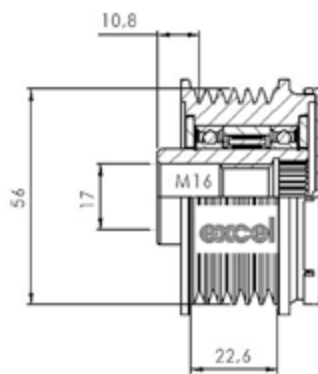


PLY230522

Dimensions (mm)
ID: 17.00 OD: 61.00 W: 42.36

Belt Type
6 Rib

Application
RENAULT, VOLVO

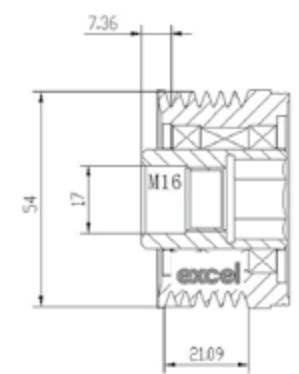


PLY230523

Dimensions (mm)
ID: 17.00 OD: 54.65 W: 36.75

Belt Type
6 Rib

Application
CITROEN, FIAT, LANCIA,
PEUGEOT

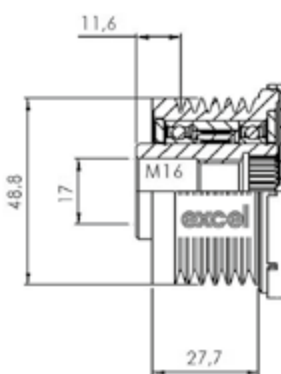


PLY230524

Dimensions (mm)
ID: 17.00 OD: 55.40 W: 39.80

Belt Type
6 Rib

Application
GM, NISSAN, RENAULT, VOLVO

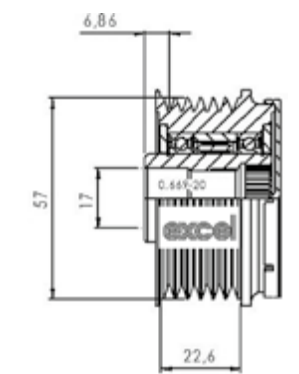


PLY230526

Dimensions (mm)
ID: 17.00 OD: 61.00 W: 36.6

Belt Type
6 Rib

Application
GM, OPEL

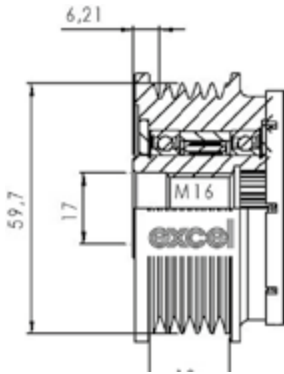


PLY230527

Dimensions (mm)
ID: 17.00 OD: 64.00 W: 35.00

Belt Type
5 Rib

Application
KIA CARNIVAL 2.9 TDI

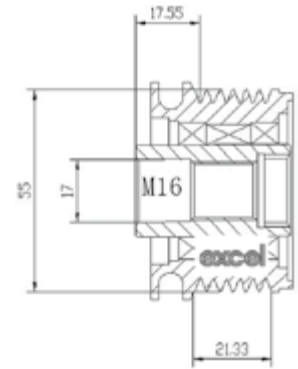


PLY231584

Dimensions (mm)
ID: 17.00 OD: 59.00 W: 42.50

Belt Type
6 Rib

Application
NISSAN MICRA, RENAULT
MEGANE

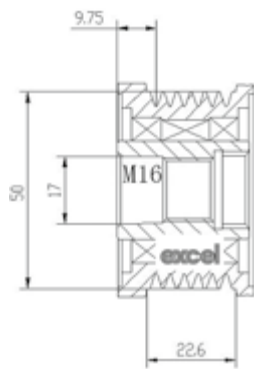


PLY233530

Dimensions (mm)
ID: 17.00 OD: 55.40 W: 35.30

Belt Type
6 Rib

Application
BMW

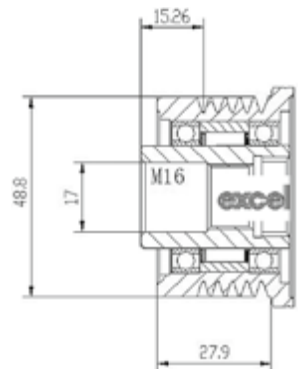


PLY233590

Dimensions (mm)
ID: 17.00 OD: 55.40 W: 39.00

Belt Type
5 Rib

Application
MITSUBISHI, NISSAN, RENAULT,
VOLVO

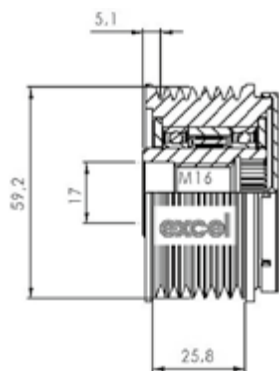


PLY233657

Dimensions (mm)
ID: 17.00 OD: 61.50 W: 35.10

Belt Type
7 Rib

Application
FORD

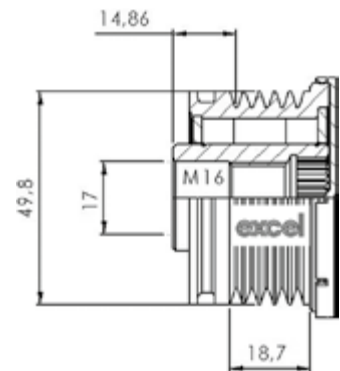


PLY233847

Dimensions (mm)
ID: 17.00 OD: 50.00 W: 40.55

Belt Type
5 Rib

Application
MERCEDES A 160-170 CDI
VANEO

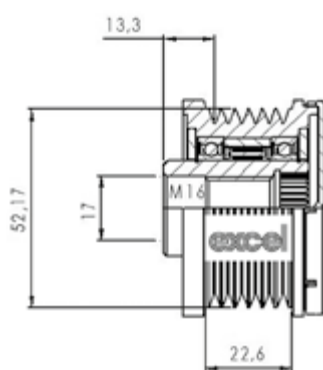


PLY233989

Dimensions (mm)
ID: 17.00 OD: 56.50 W: 40.30

Belt Type
6 Rib

Application
NISSAN ALTIMA

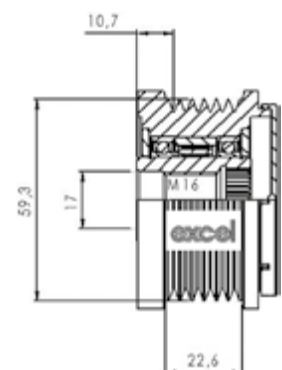


PLY233990

Dimensions (mm)
ID: 17.00 OD: 64.00 W: 35.60

Belt Type
6 Rib

Application
HYUNDAI, KIA

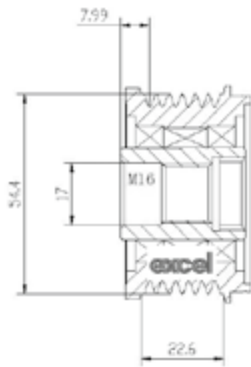


PLY234127

Dimensions (mm)
ID: 17.00 OD: 59.00 W: 35.30

Belt Type
6 Rib

Application
CITROEN, FIAT, LANCIA,
PEUGEOT

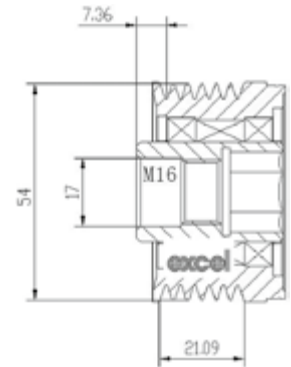


PLY234149

Dimensions (mm)
ID: 17.00 OD: 58.50 W: 32.60

Belt Type
6 Rib

Application
PSA, LANCIA, SUZUKI

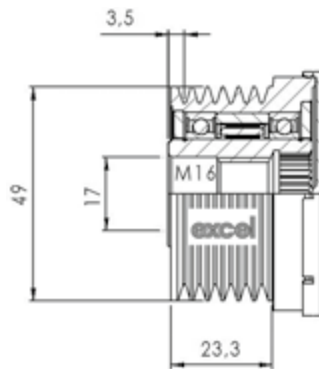


PLY234169

Dimensions (mm)
ID: 17.00 OD: 55.40 W: 35.30

Belt Type
6 Rib

Application
BMW

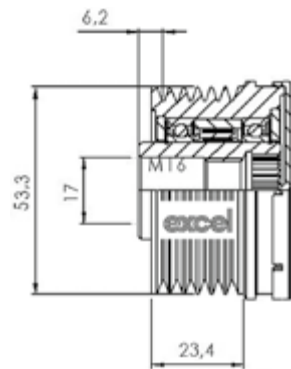


PLY234401

Dimensions (mm)
ID: 17.00 OD: 59.00 W: 38.45

Belt Type
6 Rib

Application
FORD MONDEO III

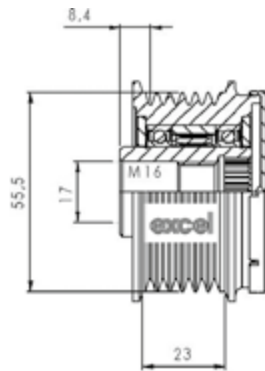


PLY234659

Dimensions (mm)
ID: 17.00 OD: 61.00 W: 38.85

Belt Type
6 Rib

Application
VW FOX, POLO TDI, GM,
SKODA

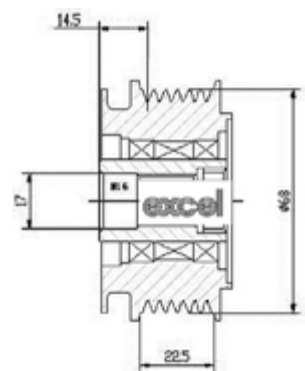


PLY234675

Dimensions (mm)
ID: 17.00 OD: 73.00 W: 41.60

Belt Type
6 Rib

Application
VW

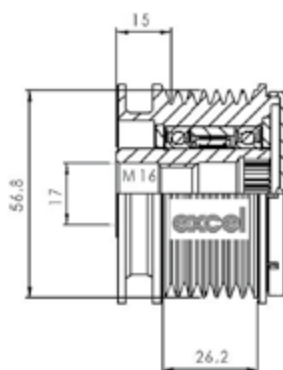


PLY234793

Dimensions (mm)
ID: 17.00 OD: 60.00 W: 46.20

Belt Type
7 Rib

Application
MERCEDES

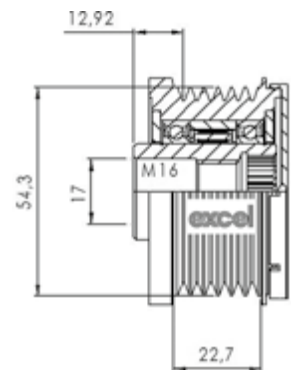


PLY234794

Dimensions (mm)
ID: 17.00 OD: 59.00 W: 40.00

Belt Type
6 Rib

Application
CITROEN, PEUGEOT

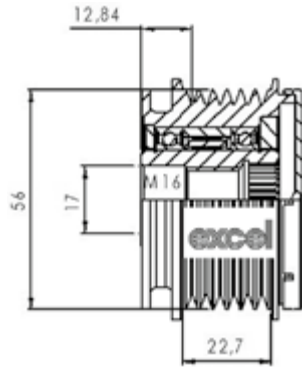


PLY234795

Dimensions (mm)
ID: 17.00 OD: 62.00 W: 35.60

Belt Type
6 Rib

Application
AUDI

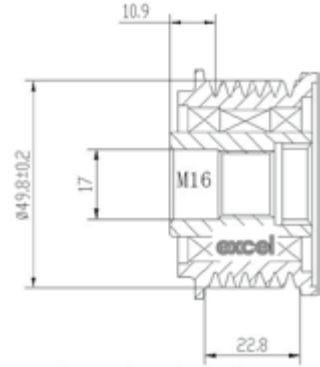


PLY234796

Dimensions (mm)
ID: 17.00 OD: 55.40 W: 36.80

Belt Type
6 Rib

Application
MERCEDES

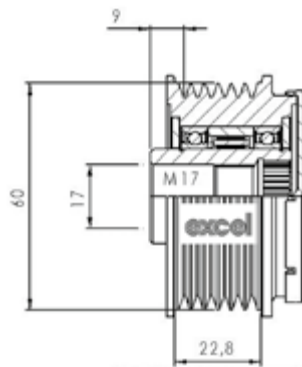


PLY234867

Dimensions (mm)
ID: 17.00 OD: 65.50 W: 38.70

Belt Type
6 Rib

Application
MAZDA, KIA, MITSUBISHI

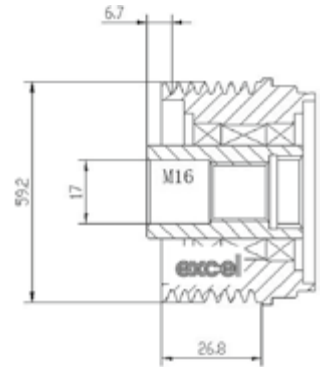


PLY235157

Dimensions (mm)
ID: 17.00 OD: 64.00 W: 38.70

Belt Type
6 Rib

Application
FORD

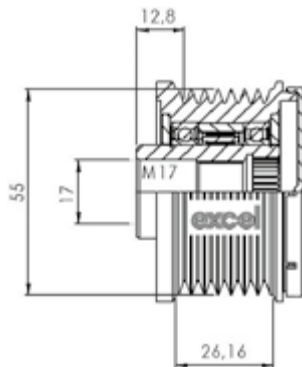


PLY235331

Dimensions (mm)
ID: 17.00 OD: 61.00 W: 36.50

Belt Type
6 Rib

Application
VW

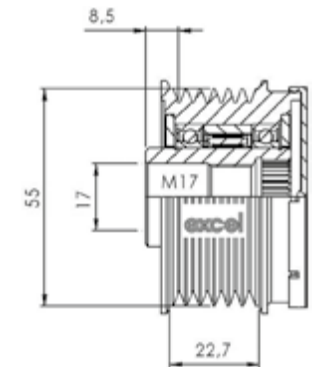


PLY235424

Dimensions (mm)
ID: 17.00 OD: 59.00 W: 38.30

Belt Type
6 Rib

Application
MAZDA 6, ALTENZA

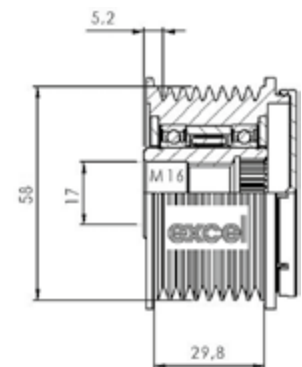


PLY235439

Dimensions (mm)
ID: 17.00 OD: 62.70 W: 36.10

Belt Type
8 Rib

Application
PORSCHE

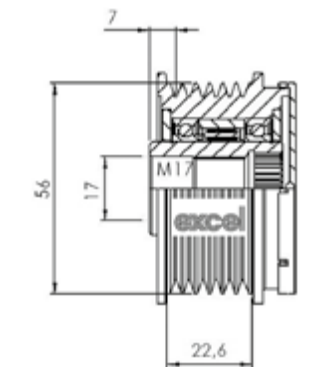


PLY235476

Dimensions (mm)
ID: 17.00 OD: 61.00 W: 37.00

Belt Type
6 Rib

Application
FORD TRANSIT

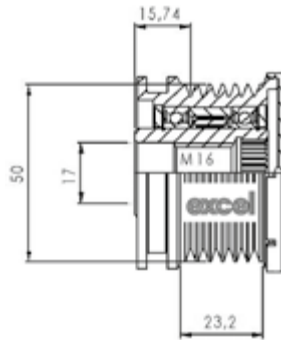


PLY235478

Dimensions (mm)
ID: 17.00 OD: 55.00 W: 36.50

Belt Type
6 Rib

Application
MERCEDES

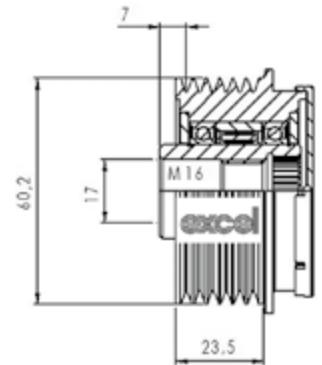


PLY235479

Dimensions (mm)
ID: 17.00 OD: 65.00 W: 39.85

Belt Type
5 Rib

Application
FORD MONDEO

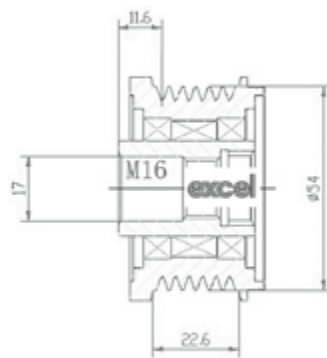


PLY235503

Dimensions (mm)
ID: 17.00 OD: 59.00 W: 41.00

Belt Type
6 Rib

Application
FORD FIESTA, PSA

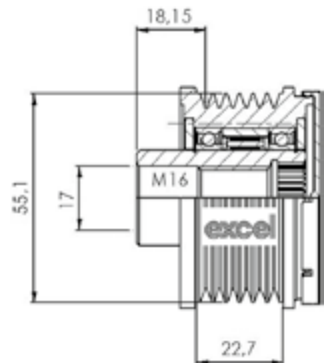


PLY235505

Dimensions (mm)
ID: 17.00 OD: 59.00 W: 42.30

Belt Type
6 Rib

Application
RENAULT

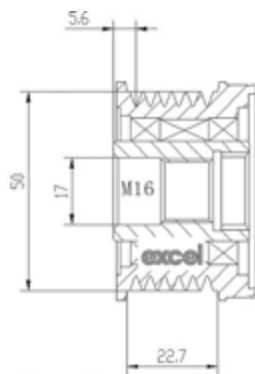


PLY235506

Dimensions (mm)
ID: 17.00 OD: 55.40 W: 36.30

Belt Type
6 Rib

Application
VW

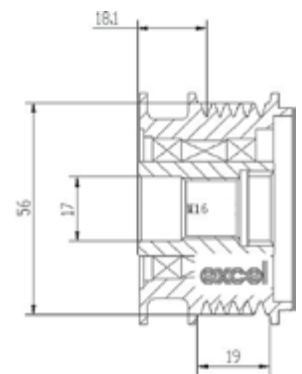


PLY235507

Dimensions (mm)
ID: 17.00 OD: 61.00 W: 37.24

Belt Type
5 Rib

Application
VW

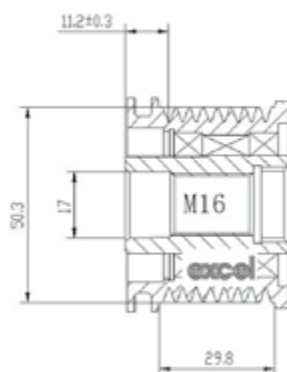


PLY235508

Dimensions (mm)
ID: 17.00 OD: 55.00 W: 43.40

Belt Type
8 Rib

Application
MERCEDES

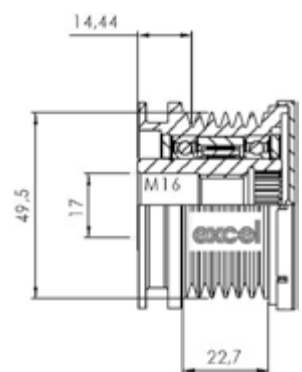


PLY235695

Dimensions (mm)
ID: 17.00 OD: 55.00 W: 40.15

Belt Type
6 Rib

Application
SEAT, SKODA, VW

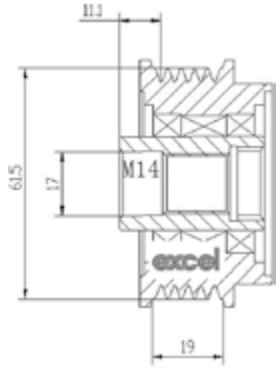


PLY235696

Dimensions (mm)
ID: 17.00 OD: 65.50 W: 37.50

Belt Type
5 Rib

Application
ALFA ROMEO, FIAT 2.4 JTD

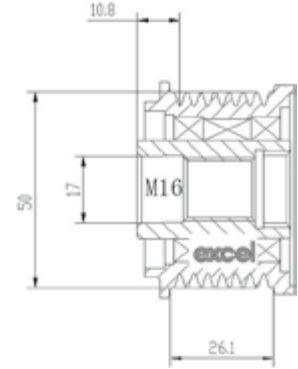


PLY235697

Dimensions (mm)
ID: 17.00 OD: 55.40 W: 40.80

Belt Type
7 Rib

Application
MERCEDES

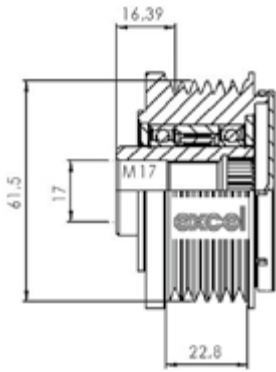


PLY235719

Dimensions (mm)
ID: 17.00 OD: 65.50 W: 40.40

Belt Type
6 Rib

Application
ALFA ROMEO, FIAT, LANCIA JTD

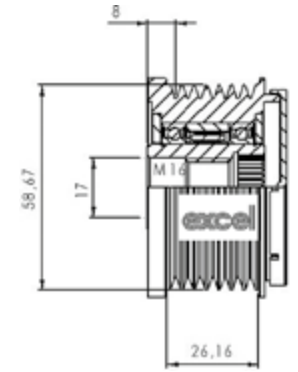


PLY235720

Dimensions (mm)
ID: 17.00 OD: 62.70 W: 39.40

Belt Type
7 Rib

Application
FORD, ROVER

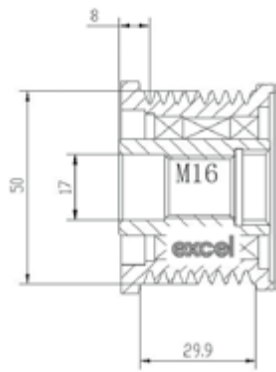


PLY235721

Dimensions (mm)
ID: 17.00 OD: 55.00 W: 39.95

Belt Type
8 Rib

Application
MERCEDES

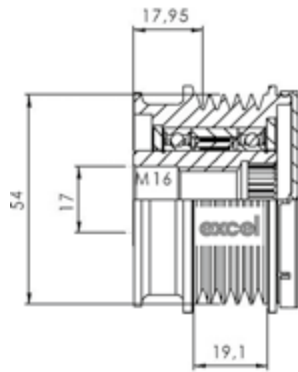


PLY235732

Dimensions (mm)
ID: 17.00 OD: 58.40 W: 40.62

Belt Type
5 Rib

Application
VOLVO

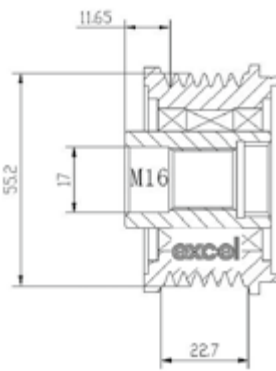


PLY235733

Dimensions (mm)
ID: 17.00 OD: 59.70 W: 37.60

Belt Type
6 Rib

Application
RENAULT

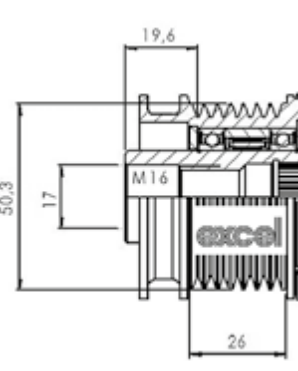


PLY235812

Dimensions (mm)
ID: 17.00 OD: 55 W: 49

Belt Type
7 Rib

Application
MERCEDES

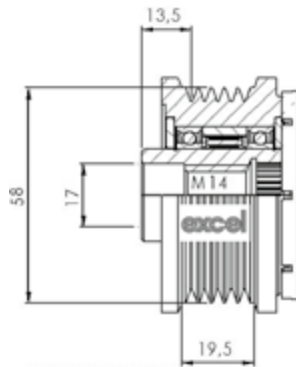


PLY236332

Dimensions (mm)
ID: 17.00 OD: 63.40 W: 38.30

Belt Type
5 Rib

Application
TOYOTA



PLY236531

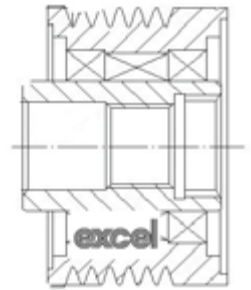
Dimensions (mm)
ID: 17.00 OD: 76.00 W: 38.30

Belt Type
6 Rib

Application
VW



Drawing not available
at time of printing

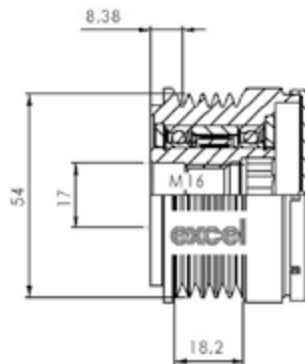


PLY236762

Dimensions (mm)
ID: 17.00 OD: 58.20 W: 43.00

Belt Type
5 Rib

Application
OPEL

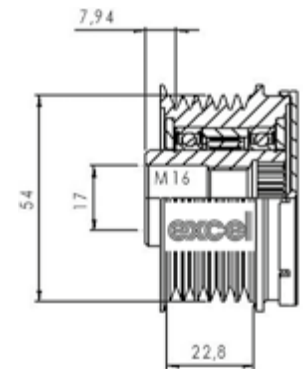


PLY236995

Dimensions (mm)
ID: 17.00 OD: 59.00 W: 40.00

Belt Type
6 Rib

Application
FIAT, LANCIA, OPEL

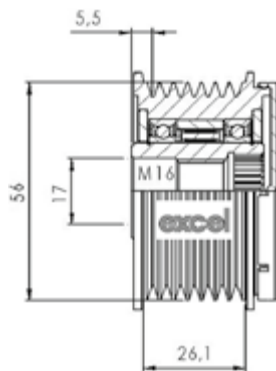


PLY237263

Dimensions (mm)
ID: 17.00 OD: 61.00 W: 36.60

Belt Type
7 Rib

Application
PORSCHE CAYENNE, VW
TOUREG

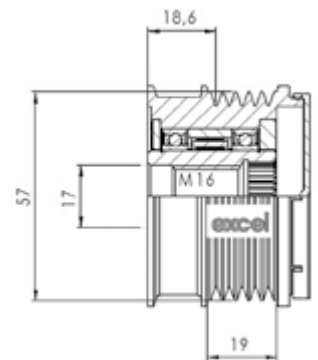


PLY237280

Dimensions (mm)
ID: 17.00 OD: 60.00 W: 42.80

Belt Type
5 Rib

Application
OPEL, SAAB

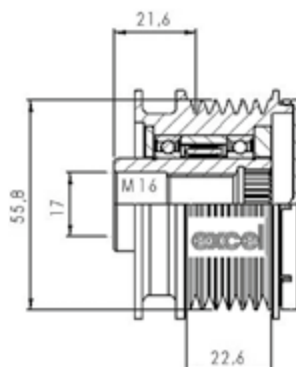


PLY237320

Dimensions (mm)
ID: 17.00 OD: 56.00 W:

Belt Type
6 Rib

Application
AUDI

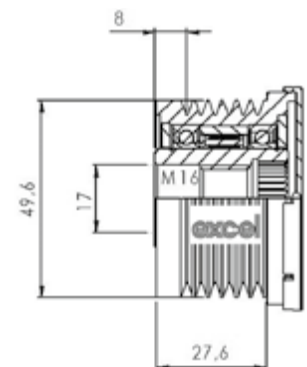


PLY237355

Dimensions (mm)
ID: 17.00 OD: 55.40 W: 36.50

Belt Type
6 Rib

Application
RENAULT LAGUNA II 1.9 DCI

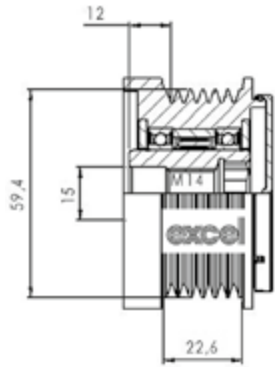


PLY237500

Dimensions (mm)
ID: 17.00 OD: 65.50 W: 38.47

Belt Type
6 Rib

Application
HYUNDAI

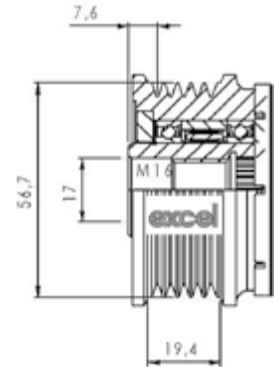


PLY237600

Dimensions (mm)
ID: 17.00 OD: 61.00 W: 35.00

Belt Type
5 Rib

Application
AUDI

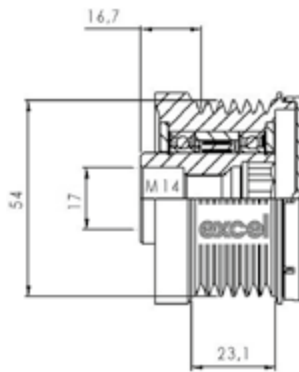


PLY237610

Dimensions (mm)
ID: 17.00 OD: 49 W:

Belt Type
6 Rib

Application
FORD, MAZDA, VOLVO

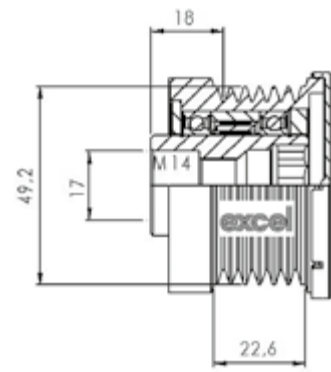


PLY237619

Dimensions (mm)
ID: 17.00 OD: 59 W:

Belt Type
6 Rib

Application
FORD

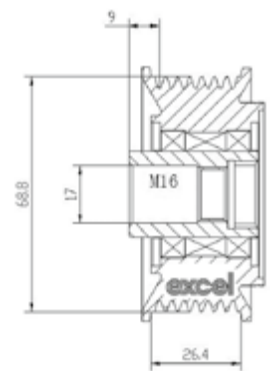


PLY237674

Dimensions (mm)
ID: 17.00 OD: 74.00 W: 42.50

Belt Type
7 Rib

Application
HYUNDAI, KIA

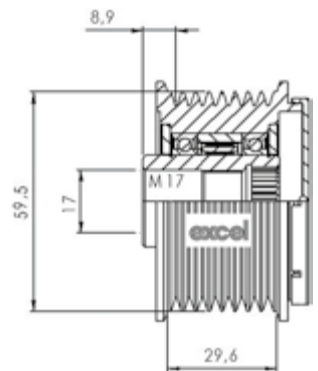


PLY238068

Dimensions (mm)
ID: 17.00 OD: 65.00 W: 39.00

Belt Type
8 Rib

Application
MAZDA 6, MITSUBISHI

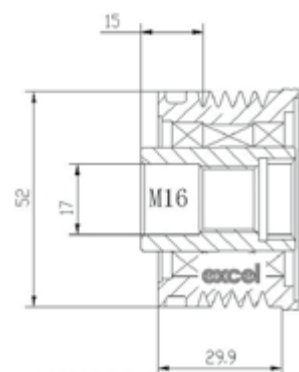


PLY238339

Dimensions (mm)
ID: 17.00 OD: 52.00 W: 36.50

Belt Type
5 Rib

Application
MERCEDES

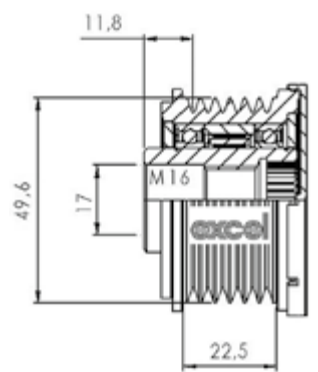


PLY238426

Dimensions (mm)
ID: 17.00 OD: 53.30 W: 38.25

Belt Type
6 Rib

Application
BMW

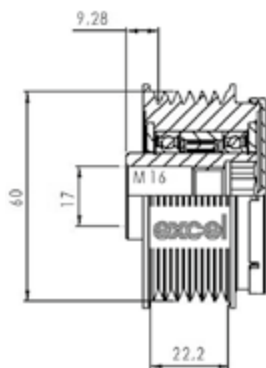


PLY238690

Dimensions (mm)
ID: 17.00 OD: 64.00 W: 41.30

Belt Type
6 Rib

Application
ISUZU, OPEL

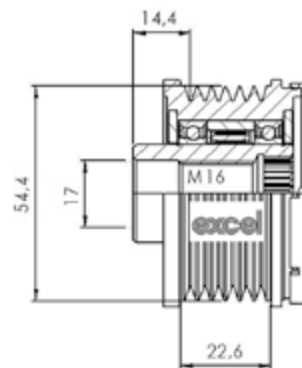


PLY238733

Dimensions (mm)
ID: 17.00 OD: 59.70 W: 40.60

Belt Type
6 Rib

Application
RENAULT MEGANE, SCENIC 1.5

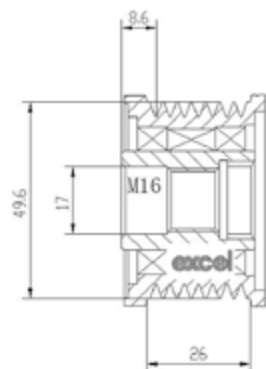


PLY238734

Dimensions (mm)
ID: 17.00 OD: 53.00 W: 37.50

Belt Type
7 Rib

Application
RENAULT, NISSAN

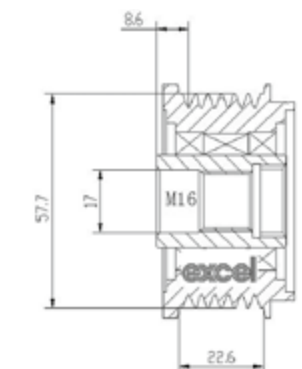


PLY239914

Dimensions (mm)
ID: 17.00 OD: 63.00 W: 49.30

Belt Type
6 Rib

Application
CITROEN, PEUGEOT

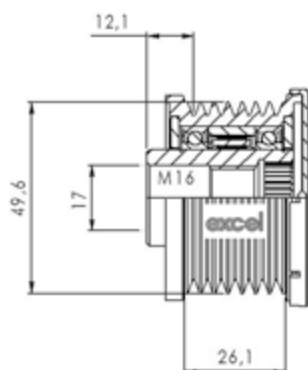


PLY330200

Dimensions (mm)
ID: 17.00 OD: 53.30 W: 42.50

Belt Type
7 Rib

Application
RENAULT

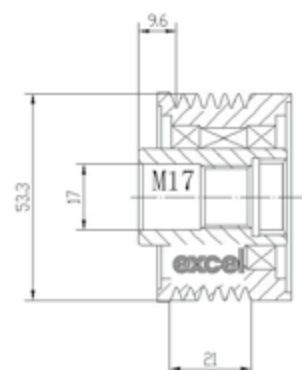


PLY330221

Dimensions (mm)
ID: 17.00 OD: 55.50 W: 50.90

Belt Type
6 Rib

Application
FIAT JTD

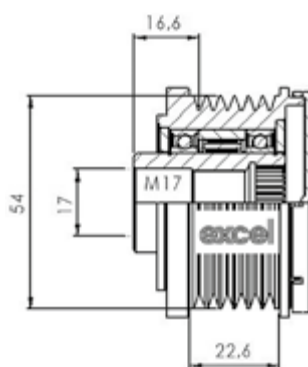


PLY330287

Dimensions (mm)
ID: 17.00 OD: 58.00 W: 40.90

Belt Type
6 Rib

Application
FIAT 2.4 JTD

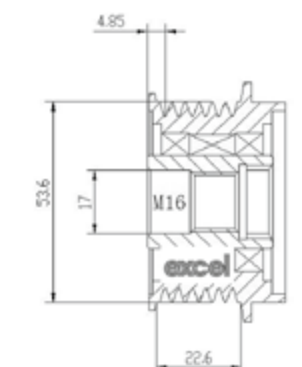


PLY330356

Dimensions (mm)
ID: 17.00 OD: 64.30 W: 34.60

Belt Type
6 Rib

Application
FORD

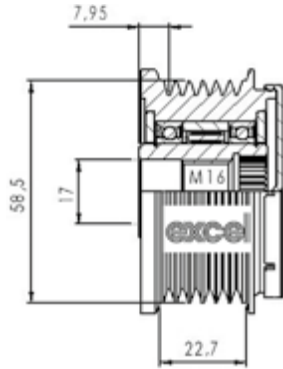


PLY330895

Dimensions (mm)
ID: 17.00 OD: 59.00 W:

Belt Type
6 Rib

Application
CITROEN, PEUGEOT

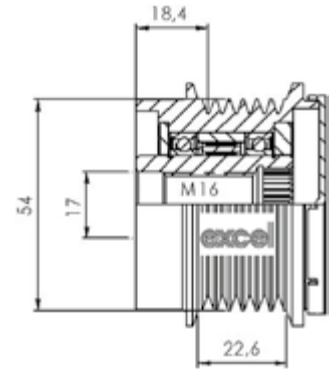


PLY330921

Dimensions (mm)
ID: 17.00 OD: 54.00 W:

Belt Type
6 Rib

Application
OPEL ASTRA

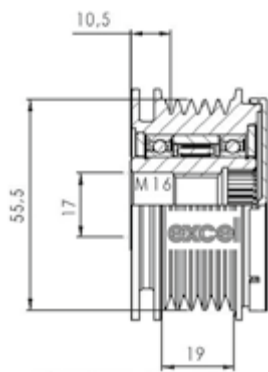


PLY331651

Dimensions (mm)
ID: 17.00 OD: 56.00 W:

Belt Type
5 Rib

Application
VOLVO

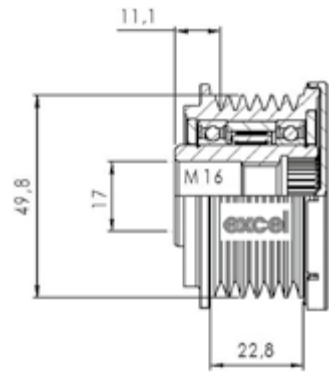


PLY810110

Dimensions (mm)
ID: 17.00 OD: 55.00 W: 36.60

Belt Type
6 Rib

Application
MERCEDES

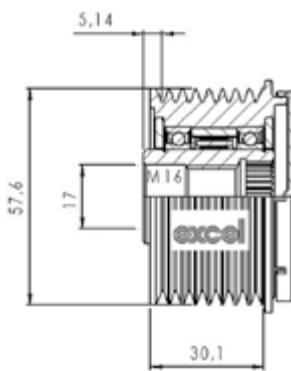


PLY810116

Dimensions (mm)
ID: 17.00 OD: 55.00 W: 40.50

Belt Type
8 Rib

Application
MERCEDES

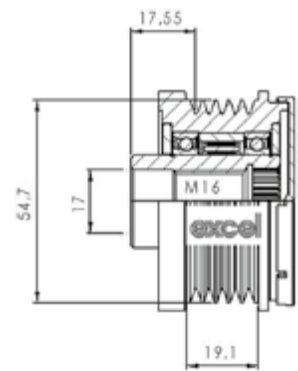


PLY810126

Dimensions (mm)
ID: 17.00 OD: 57.50 W: 42.30

Belt Type
5 Rib

Application
RENAULT MODUS 1.5 DCI

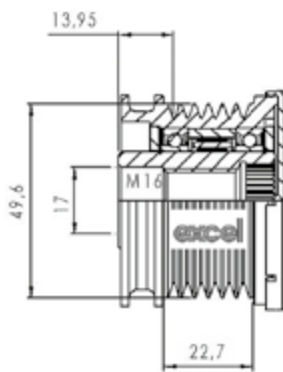


PLY810127

Dimensions (mm)
ID: 17.00 OD: 55.40 W: 41.70

Belt Type
6 Rib

Application
OPEL, SAAB

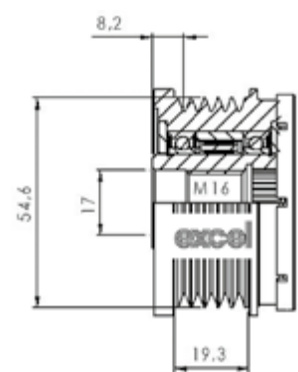


PLY810140

Dimensions (mm)
ID: 17.00 OD: 60.00 W: 42.80

Belt Type
5 Rib

Application
OPEL, SAAB

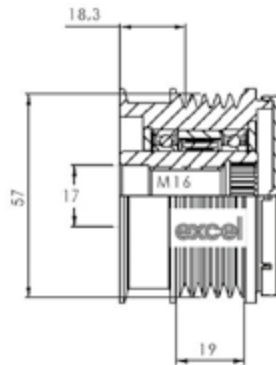


PLY810146

Dimensions (mm)
ID: 17.00 OD: 60.00 W: 43.00

Belt Type
5 Rib

Application
ALFA ROMEO

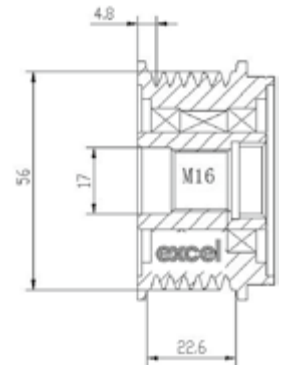


PLY810150

Dimensions (mm)
ID: 17.00 OD: 61.00 W: 34.70

Belt Type
6 Rib

Application
GM

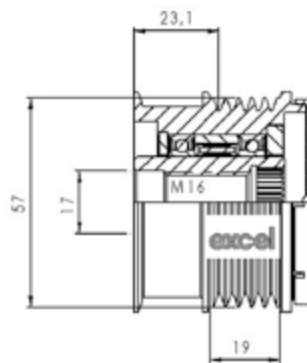


PLY810152

Dimensions (mm)
ID: 17.00 OD: 61.00 W: 43.00

Belt Type
5 Rib

Application
OPEL

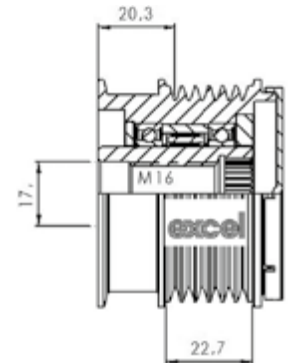


PLY810153

Dimensions (mm)
ID: 17.00 OD: 58.00 W: 45.00

Belt Type
6 Rib

Application
OPEL, SAAB

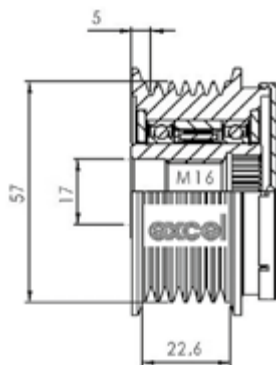


PLY810154

Dimensions (mm)
ID: 17.00 OD: 63.70 W: 45.30

Belt Type
6 Rib

Application
GM

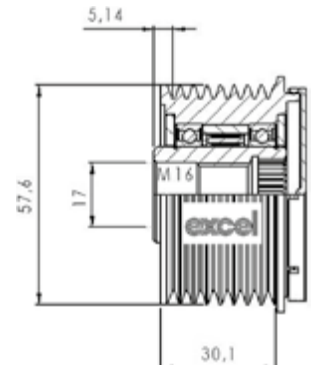


PLY810601

Dimensions (mm)
ID: 17.00 OD: 79.00 W: 41.35

Belt Type
8 Rib

Application
MERCEDES

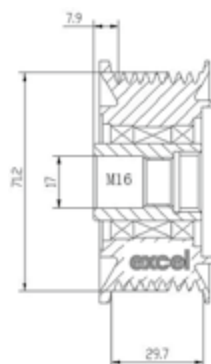


PLY810602

Dimensions (mm)
ID: 17.00 OD: 79.00 W: 45.65

Belt Type
8 Rib

Application
MERCEDES

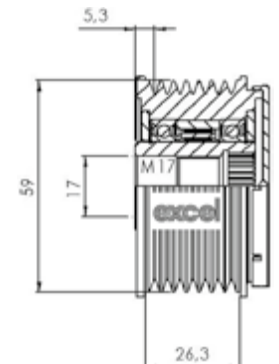


PLY814102

Dimensions (mm)
ID: 17.00 OD: 61.00 W: 36.70

Belt Type
7 Rib

Application
FORD TRANSIT

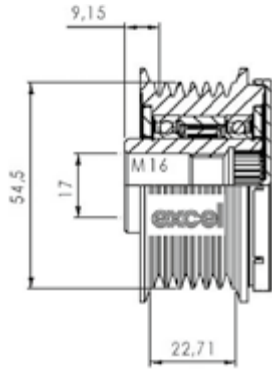


PLY814103

Dimensions (mm)
ID: 17.00 OD: 62.00 W: 37.00

Belt Type
6 Rib

Application
FORD

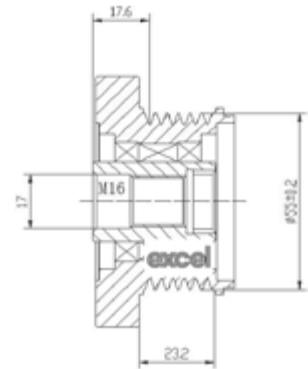


PLY815101

Dimensions (mm)
ID: 17.00 OD: 78.60 W: 40.20

Belt Type
6 Rib

Application
RENAULT

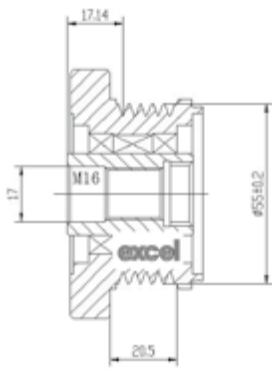


PLY815102

Dimensions (mm)
ID: 17.00 OD: 61.00 W: 37.60

Belt Type
5 Rib

Application
RENAULT

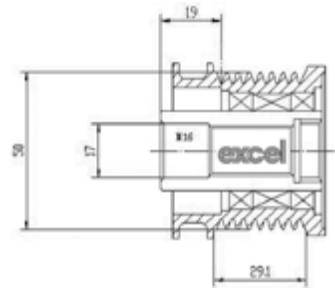


PLY815114

Dimensions (mm)
ID: 17.00 OD: 55.00 W: 52.30

Belt Type
8 Rib

Application
MERCEDES

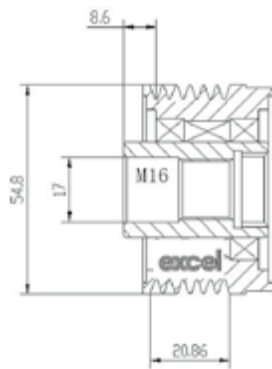


PLY815116

Dimensions (mm)
ID: 17.00 OD: 55.40 W: 50.40

Belt Type
6 Rib

Application
OPEL CORSA

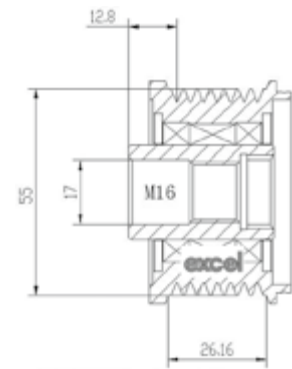


PLY820103

Dimensions (mm)
ID: 17.00 OD: 59.00 W: 41.50

Belt Type
7 Rib

Application
HITACHI ALTERNATORS

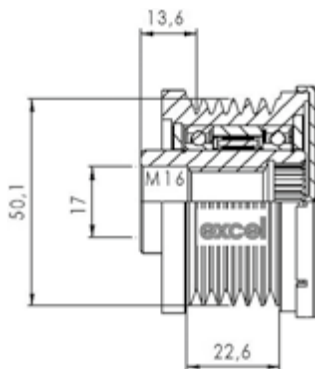


PLY820104

Dimensions (mm)
ID: 17.00 OD: 54.00 W: 40.30

Belt Type
6 Rib

Application
HITACHI ALTERNATORS

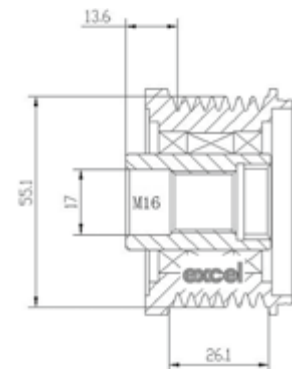


PLY820105

Dimensions (mm)
ID: 17.00 OD: 59.00 W: 42.20

Belt Type
7 Rib

Application
HITACHI ALTERNATORS

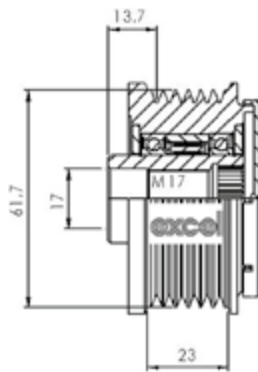


PLY830100

Dimensions (mm)
ID: 17.00 OD: 65.50 W: 37.40

Belt Type
6 Rib

Application
ALFA ROMEO, FIAT, LANCIA JTD

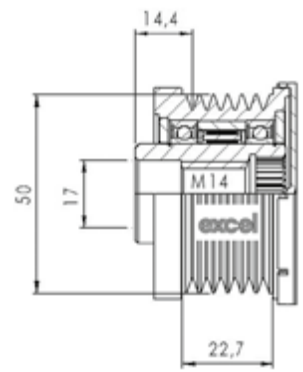


PLY840101

Dimensions (mm)
ID: 17.00 OD: 55.40 W: 41.50

Belt Type
6 Rib

Application
ISUZU, RENAULT

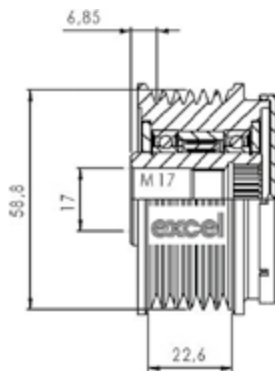


PLY840102

Dimensions (mm)
ID: 17.00 OD: 63.00 W: 36.65

Belt Type
6 Rib

Application
FORD FOCUS 1.8D

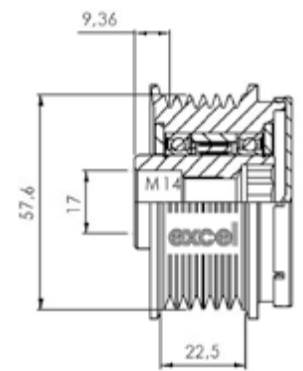


PLY840106

Dimensions (mm)
ID: 17.00 OD: 58.00 W: 40.90

Belt Type
6 Rib

Application
CHRYSLER JEEP

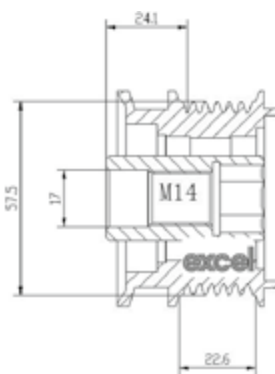


PLY840109

Dimensions (mm)
ID: 17.0 OD: 64.00 W: 51.00

Belt Type
6 Rib

Application
CHRYSLER

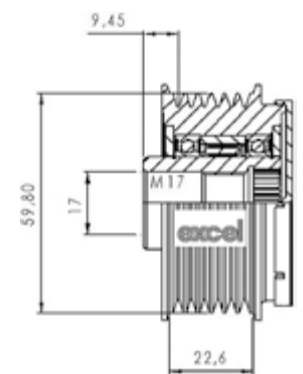


PLY840110

Dimensions (mm)
ID: 17 OD: 60 W: 39

Belt Type
6 Rib

Application
MAZDA 6

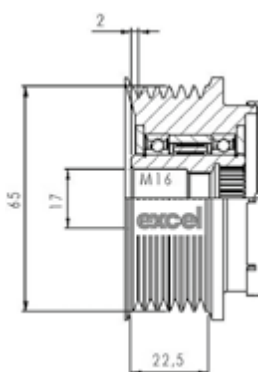


PLY840111

Dimensions (mm)
ID: 17.00 OD: 70.00 W: 35.00

Belt Type
6 Rib

Application
AUDI A8 QUATTRO

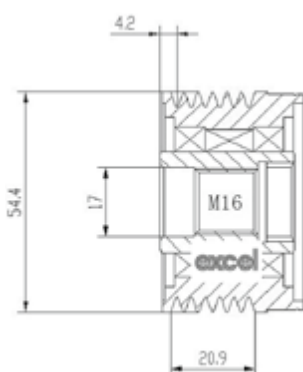


PLY840112

Dimensions (mm)
ID: 17.00 OD: 55.00 W: 50.00

Belt Type
6 Rib

Application
OPEL ASTRA, VECTRA, ZAFIRA

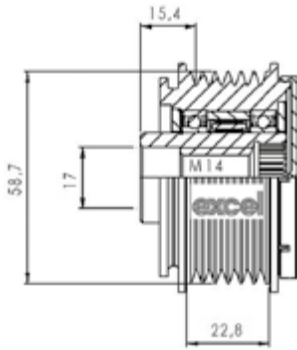


PLY840113

Dimensions (mm)
ID: 17.00 OD: 63.00 W: 41.60

Belt Type
6 Rib

Application
JAGUAR S TYPE

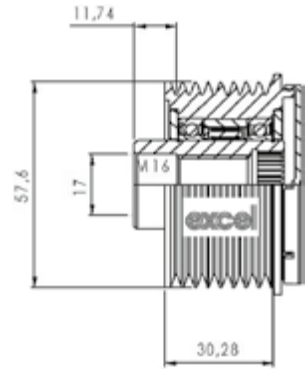


PLY840114

Dimensions (mm)
ID: 17.00 OD: 61.80 W: 45.50

Belt Type
8 Rib

Application
MERCEDES ACTROSS

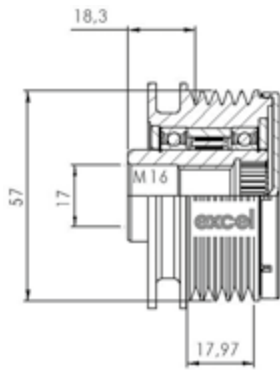


PLY840115

Dimensions (mm)
ID: 17.00 OD: 61.00 W: 40.30

Belt Type
5 Rib

Application
HYUNDAI, KIA

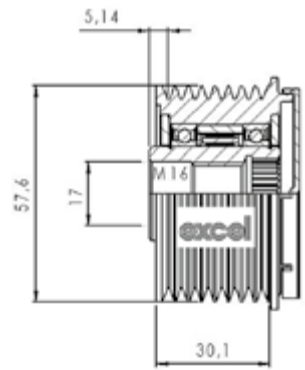


PLY840116

Dimensions (mm)
ID: 17.00 OD: 61.80 W: 37.40

Belt Type
8 Rib

Application
MERCEDES ATEGO, UNIMOG

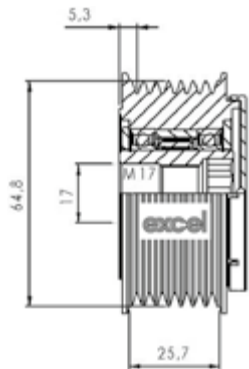


PLY840117

Dimensions (mm)
ID: 17.00 OD: 69.00 W: 39.50

Belt Type
7 Rib

Application
NISSAN NAVARA

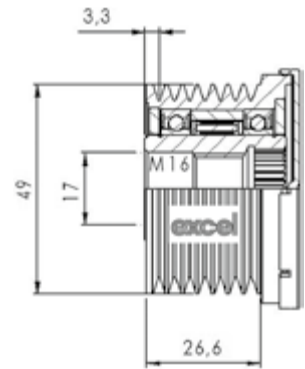


PLY840118

Dimensions (mm)
ID: 17.00 OD: 53.30 W: 34.40

Belt Type
7 Rib

Application
BMW

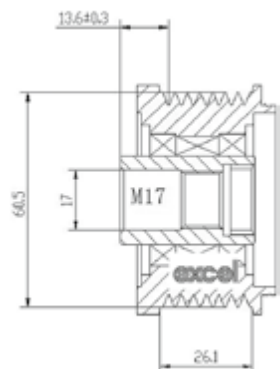


PLY840119

Dimensions (mm)
ID: 17 OD: 60.5 W:

Belt Type
7 Rib

Application
NISSAN

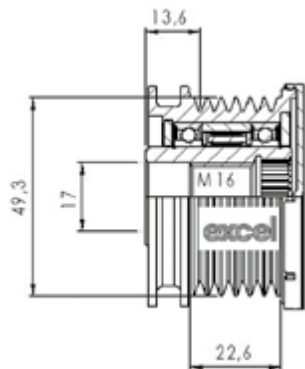


PLY840120

Dimensions (mm)
ID: 17.00 OD: 55.00 W: 40.00

Belt Type
6 Rib Rib

Application
BMW MINI, PEUGEOT, CITROEN

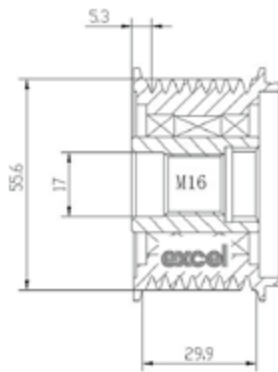


PLY840121

Dimensions (mm)
ID: 17.00 OD: 61.00 W: 70.00

Belt Type
8 Rib

Application
JOHN DEERE

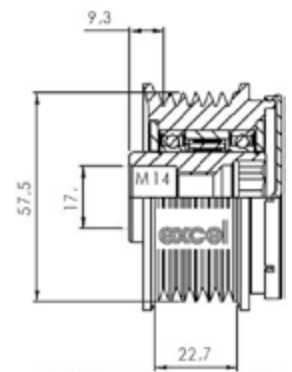


PLY840123

Dimensions (mm)
ID: 17.00 OD: 63.00 W: 51.80

Belt Type
6 Rib

Application
JAGUAR, FORD, LANDROVER

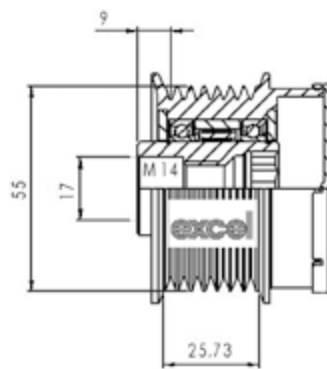


PLY840124

Dimensions (mm)
ID: OD: 57.00 W: 49.00

Belt Type
7 Rib

Application
TOYOTA CAMRY



PLY840125

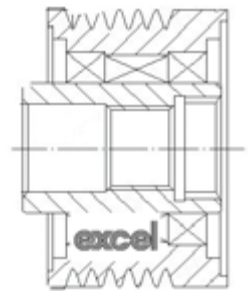
Dimensions (mm)
ID: 17.00 OD: 67.00 W: 53.00

Belt Type
6 Rib

Application
VOLVO



**Drawing not available
at time of printing**

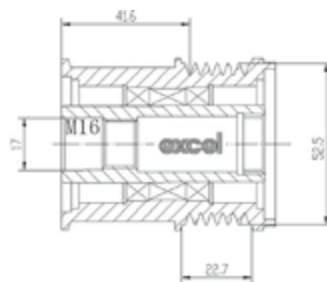


PLY840126

Dimensions (mm)
ID: 17.00 OD: 55.50 W: 63.50

Belt Type
6 Rib

Application
SAAB

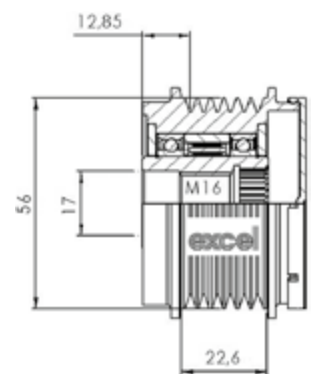


PLY840127

Dimensions (mm)
ID: 17.00 OD: 61.00 W: 41.50

Belt Type
6 Rib

Application
AUDI A4, A5, Q5

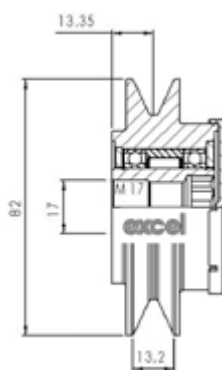


PLY840128

Dimensions (mm)
ID: 17.00 OD: 55.50 W: 34.20

Belt Type
1 Groove

Application
MITSUBISHI, NISSAN

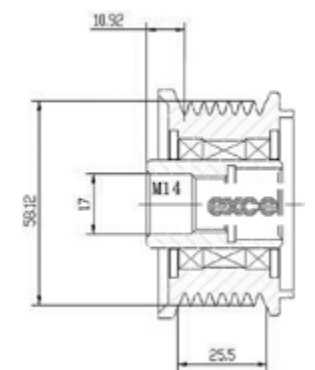


PLY840129

Dimensions (mm)
ID: 17.00 OD: 65.00 W: 35.00

Belt Type
7 Rib

Application
NISSAN PATHFINDER, NAVARA

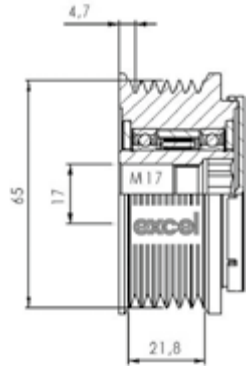


PLY840130

Dimensions (mm)
ID: 17.00 OD: 69.00 W: 33.90

Belt Type
6 Rib

Application
MITSUBISHI PAJERO

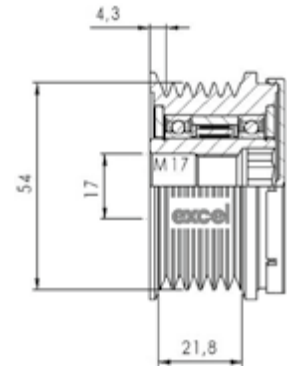


PLY840131

Dimensions (mm)
ID: 17.00 OD: 59.00 W: 33.60

Belt Type
6 Rib

Application
MITSUBISHI, SUZUKI JIMMY

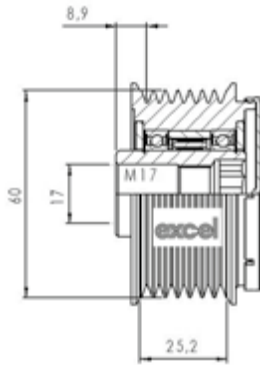


PLY840132

Dimensions (mm)
ID: 17.00 OD: 64.00 W: 40.00

Belt Type
7 Rib

Application
MITSUBISHI, NISSAN

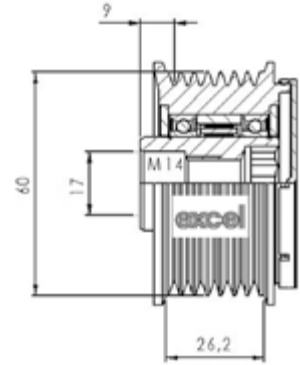


PLY840133

Dimensions (mm)
ID: 15.00 OD: 60.00 W: 39.00

Belt Type
7 Rib

Application
KIA, HYUNDAI

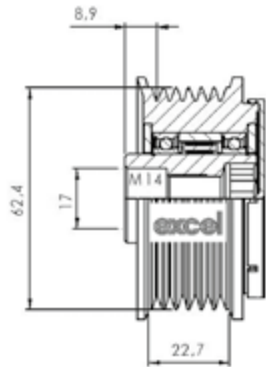


PLY840134

Dimensions (mm)
ID: 15.00 OD: 62.00 W: 33.00

Belt Type
6 Rib

Application
JAGUAR S TYPE, XJ

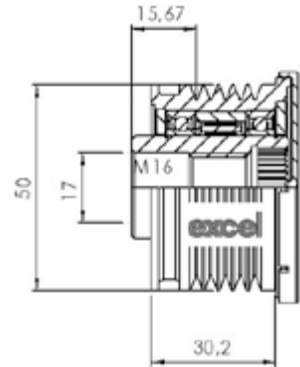


PLY840135

Dimensions (mm)
ID: 17.00 OD: 50.00 W: 36.40

Belt Type
6 Rib

Application
MERCEDES

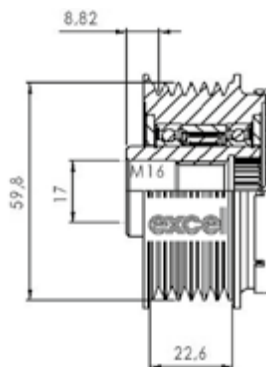


PLY840136

Dimensions (mm)
ID: 17.00 OD: 64.25 W: 37.80

Belt Type
6 Rib

Application
HYUNDAI, KIA

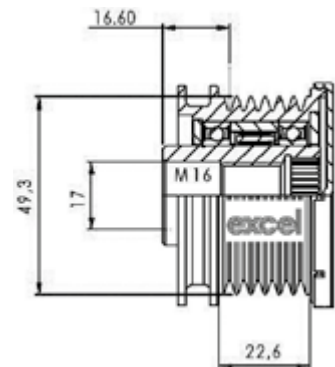


PLY840137

Dimensions (mm)
ID: 17.00 OD: 54.70 W: 41.05

Belt Type
6 Rib

Application
MINI



PLY840138

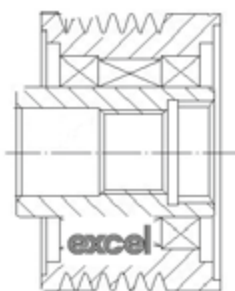
Dimensions (mm)
ID: 17.00 OD: 64.25 W: 37.80

Belt Type
6 Rib

Application
SUBARU



Drawing not available
at time of printing



PLY840139

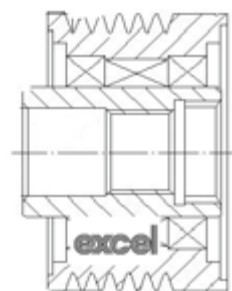
Dimensions (mm)
ID: 17.00 OD: 70.00 W: 38.50

Belt Type
6 Rib

Application
AUDI A6



Drawing not available
at time of printing

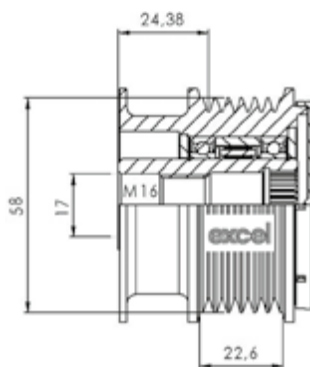


PLY840140

Dimensions (mm)
ID: 17.00 OD: 63.00 W: 51.00

Belt Type
6 Rib

Application
FORD, VOLVO

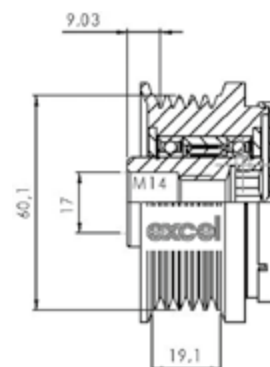


PLY840141

Dimensions (mm)
ID: 17.00 OD: 66.40 W: 39.90

Belt Type
5 Rib

Application
TOYOTA

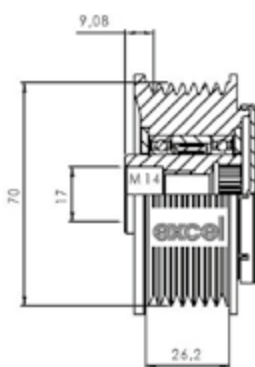


PLY840142

Dimensions (mm)
ID: 17.00 OD: 75.30 W: 41.00

Belt Type
7 Rib

Application
HONDA

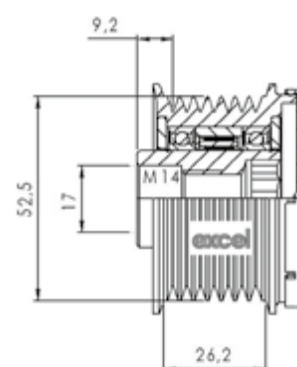


PLY840143

Dimensions (mm)
ID: 17.00 OD: 54.50 W: 52.00

Belt Type
7 Rib

Application
LEXUS, TOYOTA



PLY840144

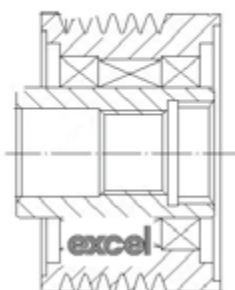
Dimensions (mm)
ID: 17.00 OD: 68.60 W: 44.00

Belt Type
6 Rib

Application
HOLDEN GEN III



Drawing not available
at time of printing



PLY840145

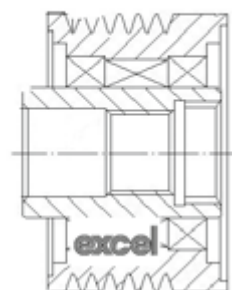
Dimensions (mm)
ID: 17.00 OD: 69.00 W: 34.60

Belt Type
6 Rib

Application
MITSUBISHI



Drawing not available
at time of printing

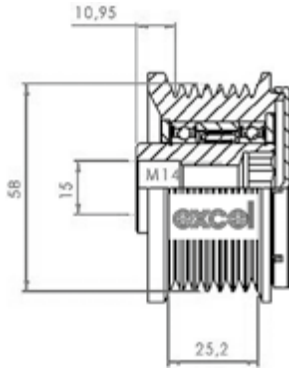


PLY840146

Dimensions (mm)
ID: 17.00 OD: 64.00 W: 41.60

Belt Type
7 Rib

Application
TOYOTA

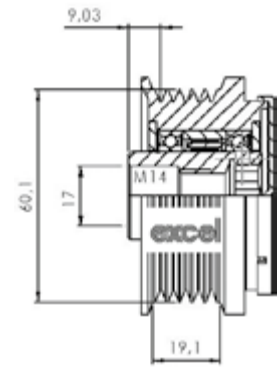


PLY840147

Dimensions (mm)
ID: 17.00 OD: 66.00 W: 39.00

Belt Type
5 Rib

Application
TOYOTA, YARIS, HIACE



PLY840148

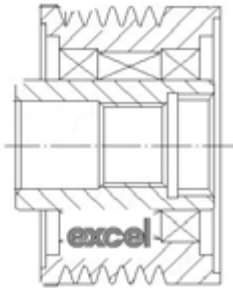
Dimensions (mm)
ID: 15.00 OD: 63.00 W: 41.40

Belt Type
7 Rib

Application
TOYOTA, HIACE, HILUX



Drawing not available
at time of printing



PLY840149

Dimensions (mm)
ID: 17.00 OD: 65.30 W: 44.30

Belt Type
6 Rib

Application
AUDI



Drawing not available
at time of printing

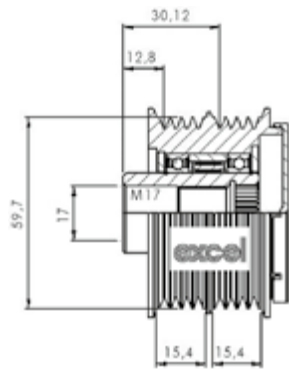


PLY840150

Dimensions (mm)
ID: 17.00 OD: 60.00 W:

Belt Type
4 Rib x2

Application
MAZDA

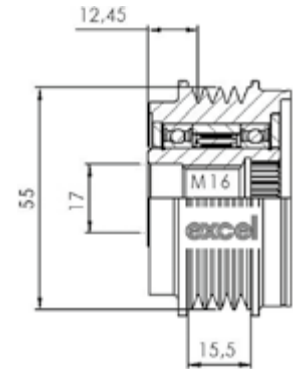


PLY840151

Dimensions (mm)
ID: 17.00 OD: 55.00 W:

Belt Type
4 Rib

Application
BMW

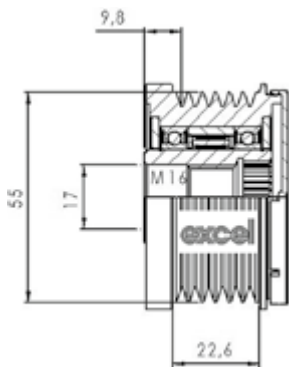


PLY840152

Dimensions (mm)
ID: 17.00 OD: 55.00 W:

Belt Type
6 Rib

Application
FIAT

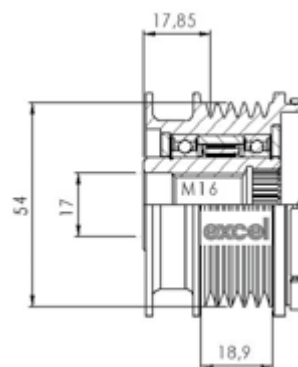


PLY840153

Dimensions (mm)
ID: 17.00 OD: 54.00 W:

Belt Type
5 Rib

Application
OPEL

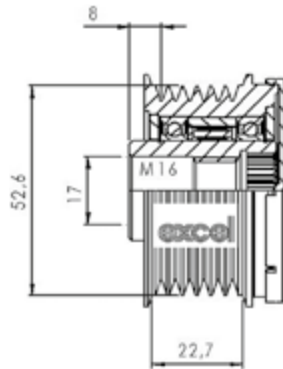


PLY840154

Dimensions (mm)
ID: 17.00 OD: 53.00 W:

Belt Type
6 Rib

Application
NISSAN

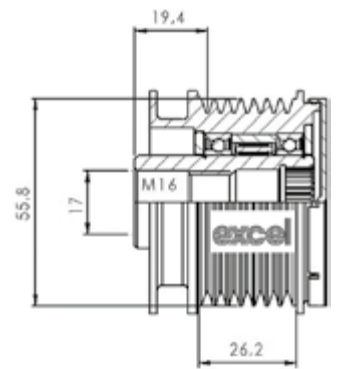


PLY840155

Dimensions (mm)
ID: 17.00 OD: 54.00 W:

Belt Type
7 Rib

Application
MERCEDES

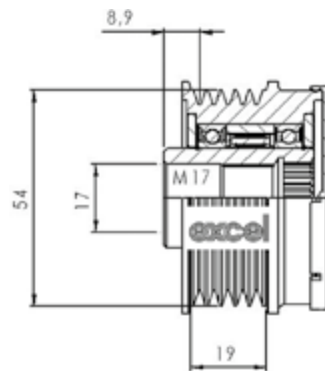


PLY840156

Dimensions (mm)
ID: 17.00 OD: 54.00 W:

Belt Type
5 Rib

Application
FIAT



PLY840157

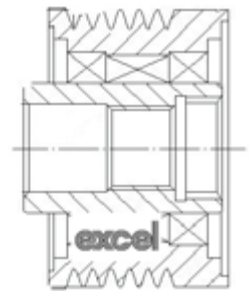
Dimensions (mm)
ID: 17.00 OD: 59.00 W: 38.05

Belt Type
6 Rib

Application
CITROEN, FIAT



**Drawing not available
at time of printing**

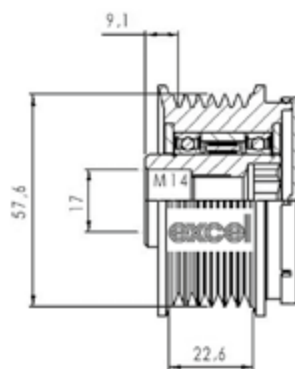


PLY840158

Dimensions (mm)
ID: 17.00 OD: 58.00 W:

Belt Type
6 Rib

Application
CHRYSLER

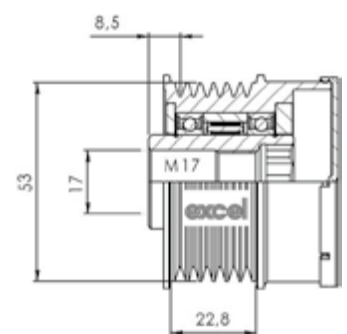


PLY840159

Dimensions (mm)
ID: 17.00 OD: 53.00 W:

Belt Type
6 Rib

Application
CHRYSLER

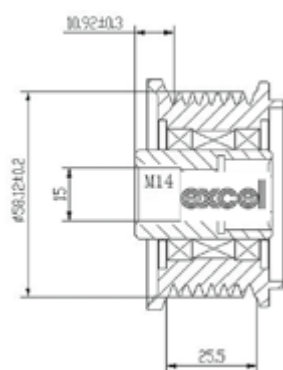


PLY840160

Dimensions (mm)
ID: 15.00 OD: 58.00 W:

Belt Type
7 Rib

Application
TOYOTA

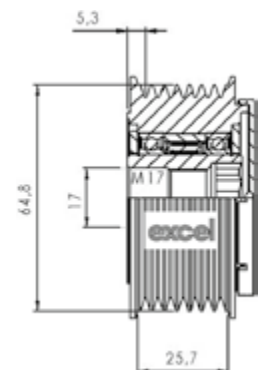


PLY840161

Dimensions (mm)
ID: 17.00 OD: 65.00 W:

Belt Type
7 Rib

Application
VOLVO

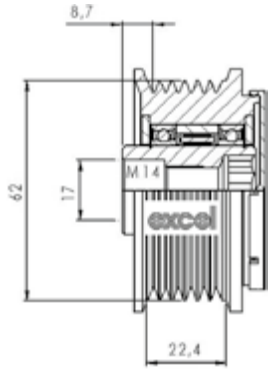


PLY840162

Dimensions (mm)
ID: 17.00 OD: 62.00 W:

Belt Type
6 Rib

Application
TOYOTA

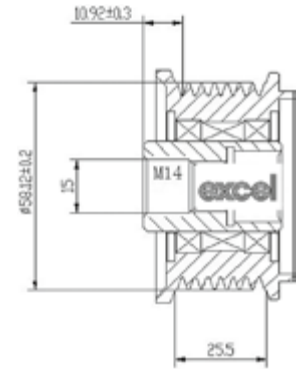


PLY840163

Dimensions (mm)
ID: 15.00 OD: 58.00 W:

Belt Type
7 Rib

Application
TOYOTA

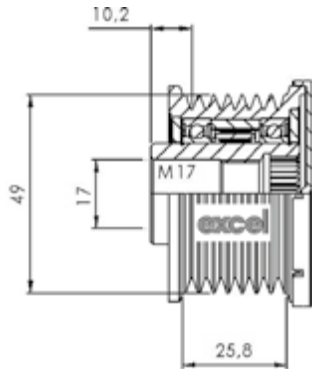


PLY840164

Dimensions (mm)
ID: 17.00 OD: 49.00 W:

Belt Type
7 Rib

Application
RENAULT

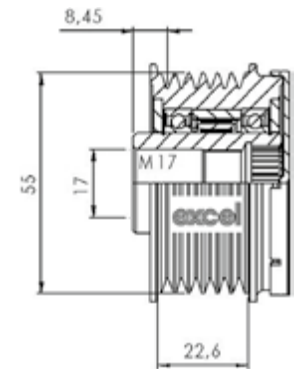


PLY840165

Dimensions (mm)
ID: 17.00 OD: 55.00 W:

Belt Type
6 Rib

Application
RENAULT

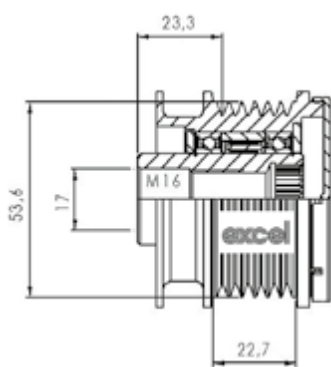


PLY840166

Dimensions (mm)
ID: 17.00 OD: 54.00 W:

Belt Type
6 Rib

Application
SAAB



PLY840167

Shaft Pulley Decoupler Assembly

Application
FORD



**PULLEY REPLACEMENT
CROSS REFERENCE**

| BOSCH | EXCEL |
|---------------|--------------|
| 0 122 1AA 4Z0 | PLY810110 |
| 0 122 1AA 5L0 | PLY810110 |
| 0 122 1AA 6K0 | PLY230311 |
| 1 122 1AA 7V0 | PLY810110 |
| 1 126 600 154 | PLY131200 |
| 1 126 600 222 | PLY131200 |
| 1 126 600 262 | PLY131200 |
| 1 126 600 265 | PLY131200 |
| 1 126 600 308 | PLY131200 |
| 1 126 600 309 | PLY131200 |
| 1 126 600 345 | PLY131200 |
| 1 126 600 348 | PLY131200 |
| 1 126 600 395 | PLY135057 |
| 1 126 600 434 | PLY131928 |
| 1 126 600 488 | PLY131200 |
| 1 126 600 750 | PLY135426 |
| 1 126 600 825 | PLY135606 |
| 1 126 600 891 | PLY135606 |
| 1 126 601 556 | PLY138282 |
| 1 126 601 557 | PLY138282 |
| 1 126 601 559 | PLY138203 |
| 1 126 601 565 | PLY139281 |
| 1 126 601 566 | PLY230083 |
| 1 126 601 567 | PLY237600 |
| 1 126 601 568 | PLY138073 |
| 1 126 601 572 | PLY138807 |
| 1 126 601 580 | PLY235478 |
| 1 126 601 593 | PLY230306 |
| 1 126 601 597 | PLY230292 |
| 1127 011 176 | PLY135426 |
| 6 033 GD5 036 | PLY230305 |
| F 00M 061 005 | PLY234675 |
| F 00M 061 016 | PLY230519 |
| F 00M 061 023 | PLY230292 |
| F 00M 147 722 | PLY237600 |
| F 00M 147 723 | PLY230306 |
| F 00M 147 724 | PLY230302 |
| F 00M 147 732 | PLY234795 |
| F 00M 147 737 | PLY230293 |
| F 00M 147 738 | PLY810127 |
| F 00M 147 746 | PLY234169 |
| F 00M 147 747 | PLY233530 |
| F 00M 147 760 | PLY230296 |
| F 00M 147 764 | PLY234127 |
| F 00M 147 800 | PLY235506 |
| F 00M 147 801 | PLY230293 |
| F 00M 147 806 | PLY810126 |
| F 00M 147 808 | PLY235507 |

| | |
|---------------|-----------|
| F 00M 148 604 | PLY233657 |
| F 00M 391 100 | PLY239914 |
| F 00M 391 104 | PLY235508 |
| F 00M 391 105 | PLY235721 |
| F 00M 391 110 | PLY235697 |
| F 00M 391 112 | PLY330356 |
| F 00M 391 113 | PLY235732 |
| F 00M 391 125 | PLY235720 |
| F 00M 391 135 | PLY239914 |
| F 00M 391 138 | PLY330356 |
| F 00M 391 139 | PLY235732 |
| F 00M 991 002 | PLY230293 |
| F 00M 991 016 | PLY230296 |
| F 00M 991 039 | PLY230309 |
| F 00M 991 042 | PLY237600 |
| F 00M 991 043 | PLY230302 |
| F 00M 991 044 | PLY230306 |
| F 00M 991 045 | PLY230302 |
| F 00M 991 061 | PLY230296 |
| F 00M 991 076 | PLY236762 |
| F 00M 991 078 | PLY233657 |
| F 00M 991 090 | PLY235331 |
| F 00M 991 095 | PLY234675 |
| F 00M 991 099 | PLY235478 |
| F 00M 991 105 | PLY230315 |
| F 00M 991 108 | PLY234795 |
| F 00M 991 116 | PLY233657 |
| F 00M 991 122 | PLY230293 |
| F 00M 991 125 | PLY235478 |
| F 00M 991 128 | PLY236762 |
| F 00M 991 133 | PLY810127 |
| F 00M 991 138 | PLY234793 |
| F 00M 991 139 | PLY237280 |
| F 00M 991 141 | PLY234169 |
| F 00M 991 142 | PLY233530 |
| F 00M 991 156 | PLY230296 |
| F 00M 991 157 | PLY235697 |
| F 00M 991 167 | PLY237263 |
| F 00M 991 171 | PLY234127 |
| F 00M 991 172 | PLY234127 |
| F 00M 991 178 | PLY237355 |
| F 00M 991 181 | PLY234796 |
| F 00M 991 186 | PLY810140 |
| F 00M 991 189 | PLY810127 |
| F 00M 991 190 | PLY235478 |
| F 00M 991 192 | PLY233657 |
| F 00M 991 204 | PLY235506 |
| F 00M 991 206 | PLY230293 |
| F 00M 991 210 | PLY810152 |
| F 00M 991 216 | PLY238734 |
| F 00M 991 217 | PLY810126 |
| F 00M 991 218 | PLY235507 |
| F 00M 991 219 | PLY238733 |
| F 00M 991 220 | PLY810150 |
| F 00M 991 229 | PLY235733 |

| | |
|---------------|-----------|
| F 00M 991 231 | PLY238734 |
| F 00M 991 232 | PLY230296 |
| F 00M 991 234 | PLY235507 |
| F 00M 991 238 | PLY810153 |
| F 00M 991 240 | PLY810146 |
| F 00M 991 241 | PLY810154 |
| F 00M 991 247 | PLY235695 |
| F 00M 991 252 | PLY235439 |
| F 00M 991 255 | PLY234796 |
| F 00M 991 273 | PLY233530 |
| F 00M 991 284 | PLY230293 |
| F 00M 991 287 | PLY235695 |
| F 00M 991 289 | PLY330716 |
| F 00M 991 300 | PLY236531 |
| F 00M 991 303 | PLY235478 |
| F 00M 991 308 | PLY234675 |
| F 00M 991 391 | PLY235721 |
| F 010 LD1 120 | PLY235331 |

| DELPHI | EXCEL |
|---------------|--------------|
| 021040-0970 | PLY230314 |
| 021040-1001 | PLY840109 |
| 021040-1040 | PLY840109 |
| 021040-1042 | PLY840109 |
| 021040-1180 | PLY840109 |
| 021040-1241 | PLY840107 |
| 021040-1450 | PLY840106 |
| 021040-1570 | PLY235696 |
| 081020-0010 | PLY237500 |
| 081020-0011 | PLY237500 |
| 104 51570 | PLY810110 |
| 104 53582 | PLY810110 |
| 104 80403 | PLY810110 |
| 104 84670 | PLY230526 |
| 10493077 | PLY237263 |
| 10511026 | PLY238690 |
| 121041-0580 | PLY330221 |
| 121041-1140 | PLY330287 |
| 211242 | PLY138807 |

| FORD | EXCEL |
|------------------|--------------|
| 1S4Q-10C382-AD | PLY840106 |
| 1S7U-10A352-DB | PLY234401 |
| 5M5Q-10C382-AA | PLY840106 |
| 5M5Q-10D310-AA | PLY840106 |
| F1DU10352AA | PLY136215 |
| F1DU10A352AA | PLY136215 |
| F1DZ10344A | PLY136215 |
| F23210344B | PLY136215 |
| F23U10352BA | PLY136215 |
| VP2C1U-10A352-AA | PLY235157 |
| VP2M5U-10A352-AA | PLY814103 |
| VP2PSU-10A352-BA | PLY235503 |

| | |
|------------------|-----------|
| VP6S4U-10A352-AA | PLY814103 |
| XW4U-10A352-AA | PLY230308 |
| YC1T-10A352-AC | PLY233657 |
| YC1U-10A352-BA | PLY233657 |
| YC1U-10A352-BB | PLY233657 |
| YM2E-10N356-AA | PLY230308 |
| YP2C-10A352-AA | PLY233657 |

| |
|-------------|
| F-227079.5 |
| F-227628.4 |
| F-227628.6 |
| F-227820.4 |
| F-227820.6 |
| F-227820.8 |
| F-228215 |
| F-228215.1 |
| F-228411.2 |
| F-228618.4 |
| F-228751.2 |
| F-228751.3 |
| F-228824.4 |
| F-228824.6 |
| F-228824.9 |
| F-228881.2 |
| F-229363.3 |
| F-229363.5 |
| F-229363.7 |
| F-229603.1 |
| F-229603.13 |
| F-229603.4 |
| F-229603.7 |
| F-229606.1 |
| F-229606.1 |
| F-229643.3 |
| F-229643.4 |
| F-229643.7 |
| F-229974 |
| F-229974.3 |
| F-229974.4 |
| F-230051.2 |
| F-230147.1 |
| F-230147.2 |
| F-230209 |
| F-230209.2 |
| F-230283 |
| F-230283.1 |
| F-230283.2 |
| F-230329.2 |
| F-230401 |
| F-230401.6 |
| F-230401.8 |
| F-230753 |
| F-230753.3 |
| F-230759.1 |
| F-230825.2 |
| F-230846.1 |
| F-230846.2 |
| F-230866.4 |
| F-230866.7 |
| F-231102 |
| F-231108 |
| F-231142.1 |
| F-231618.1 |

| |
|-----------|
| PLY230519 |
| PLY230293 |
| PLY230293 |
| PLY234675 |
| PLY234675 |
| PLY234675 |
| PLY230305 |
| PLY230305 |
| PLY840101 |
| PLY230306 |
| PLY230521 |
| PLY230521 |
| PLY230292 |
| PLY230292 |
| PLY230292 |
| PLY810110 |
| PLY810110 |
| PLY810110 |
| PLY230523 |
| PLY234149 |
| PLY230523 |
| PLY234149 |
| PLY230523 |
| PLY230523 |
| PLY230523 |
| PLY230524 |
| PLY230524 |
| PLY230524 |
| PLY230524 |
| PLY230308 |
| PLY234867 |
| PLY230308 |
| PLY840113 |
| PLY230309 |
| PLY230309 |
| PLY235331 |
| PLY235331 |
| PLY810601 |
| PLY810602 |
| PLY810602 |
| PLY238426 |
| PLY230296 |
| PLY230296 |
| PLY230296 |
| PLY230526 |
| PLY230526 |
| PLY230310 |
| PLY230311 |
| PLY230306 |
| PLY230306 |
| PLY830100 |
| PLY830100 |
| PLY230314 |
| PLY230314 |
| PLY234795 |
| PLY230527 |

| |
|-------------|
| F-232001.2 |
| F-232030.05 |
| F-232030.10 |
| F-232288.1 |
| F-232353.01 |
| F-232369.2 |
| F-232369.4 |
| F-232600 |
| F-232854.3 |
| F-233106.2 |
| F-233197.1 |
| F-233197.2 |
| F-233197.3 |
| F-233379.01 |
| F-233525 |
| F-233525.1 |
| F-233593 |
| F-233608.1 |
| F-233834 |
| F-233834.03 |
| F-233970 |
| F-234359 |
| F-234359.2 |
| F-234563.2 |
| F-234637 |
| F-235152.3 |
| F-235449 |
| F-235492 |
| F-235931 |
| F-235968 |
| F-235968.08 |
| F-236001 |
| F-236071.05 |
| F-236127 |
| F-236528 |
| F-236566 |
| F-236591.1 |
| F-236675.03 |
| F-237045 |
| F-237101.1 |
| F-237481 |
| F-237653 |
| F-238005.02 |
| F-238120 |
| F-238163 |
| F-238163 |
| F-238163.01 |
| F-23816301 |
| F-23816302 |
| F-2381632 |
| F-238215 |
| F-238216.01 |
| F-238419.02 |
| F-238512.03 |
| F-238822 |

| |
|-----------|
| PLY234793 |
| PLY233847 |
| PLY233847 |
| PLY233989 |
| PLY238690 |
| PLY234127 |
| PLY234127 |
| PLY234867 |
| PLY234401 |
| PLY237500 |
| PLY235478 |
| PLY235478 |
| PLY235478 |
| PLY235718 |
| PLY230315 |
| PLY230315 |
| PLY234659 |
| PLY840102 |
| PLY840116 |
| PLY840114 |
| PLY233990 |
| PLY235476 |
| PLY235476 |
| PLY810127 |
| PLY233590 |
| PLY230522 |
| PLY237263 |
| PLY235503 |
| PLY814103 |
| PLY234796 |
| PLY234796 |
| PLY238068 |
| PLY840115 |
| PLY235697 |
| PLY234169 |
| PLY233530 |
| PLY234794 |
| PLY330200 |
| PLY814102 |
| PLY236995 |
| PLY235479 |
| PLY236531 |
| PLY238426 |
| PLY237355 |
| PLY235424 |
| PLY235424 |
| PLY235424 |
| PLY235424 |
| PLY235424 |
| PLY235424 |
| PLY810601 |
| PLY840116 |
| PLY238339 |
| PLY235721 |
| PLY330287 |

| | |
|----------------|--------------|
| HITACHI | EXCEL |
|----------------|--------------|

| | |
|-------------|-----------|
| GD 214998-1 | PLY230293 |
| GD2 17756 | PLY237263 |
| GD2 18089-1 | PLY238690 |
| GD2 18509 | PLY820104 |
| GD2 18752 | PLY820105 |
| GD2 18964 | PLY820103 |
| L1110G-7500 | PLY233989 |
| L15065004 | PLY11120 |
| L16025004 | PLY136157 |
| L1604500 | PLY135272 |
| L1606500 | PLY135272 |
| L16075004 | PLY136159 |
| L170G-25003 | PLY230521 |
| L22555001 | PLY135272 |

| | |
|------------|--------------|
| INA | EXCEL |
|------------|--------------|

| | |
|-------------|-----------|
| 232774.03 | PLY237674 |
| 232774.1 | PLY237674 |
| F-225355.4 | PLY139281 |
| F-225355.6 | PLY139281 |
| F-225643.4 | PLY138807 |
| F-225643.6 | PLY138807 |
| F-225643.9 | PLY138807 |
| F-225644.4 | PLY138073 |
| F-225644.6 | PLY138073 |
| F-225653.10 | PLY230302 |
| F-225653.4 | PLY230083 |
| F-225653.7 | PLY230302 |
| F-225653.8 | PLY230083 |
| F-226321.5 | PLY840111 |
| F-226322.10 | PLY237600 |
| F-226322.4 | PLY237600 |
| F-226322.9 | PLY237600 |
| F-226387.4 | PLY235478 |
| F-226387.6 | PLY235478 |
| F-226556.4 | PLY138282 |
| F-226556.6 | PLY138282 |
| F-226804.4 | PLY138203 |
| F-226804.5 | PLY138203 |
| F-22692.5 | PLY840112 |
| F-226954.3 | PLY230297 |
| F-226954.4 | PLY230297 |
| F-226962.5 | PLY840112 |
| F-227079.4 | PLY230519 |

F-238834.03 PLY840114
 F-238918.01 PLY810140
 F-239356 PLY235508
 F-239809.3 PLY233847
 F-239912.01 PLY235696
 F-239973.01 PLY238339
 F-239992 PLY235721
 F-240026 PLY840136
 F-240113 PLY238690
 F-240138 PLY235507
 F-240139 PLY235506
 F-240423 PLY810602
 F-550181.03 PLY231584
 F-550213.01 PLY810126
 F-550213.02 PLY238733
 F-550213.06 PLY235733
 F-550371 PLY810150
 F-550379 PLY235505
 F-550379.02 PLY330339
 F-550426 PLY230523
 F-550879 PLY820103
 F-551034 PLY820104
 F-551357 PLY235507
 F-551359 PLY840114
 F-551406.01 PLY235695
 F-551657.01 PLY815114
 F-551759 PLY820105
 F-552296 PLY840116
 F-552386.01 PLY840117
 F-552714 PLY840110
 F-553392 PLY235732
 F-553393 PLY330356
 F-553470 PLY230293
 F-554007.02 PLY840118
 F-554053.01 PLY235719
 F-554765.02 PLY230526
 F-555097 PLY840119
 F-556174.01 PLY235720
 F-556234.02 PLY235439
 F-556533.01 PLY840137
 F-556599.01 PLY230522
 F-558404 PLY235157
 F-558533 PLY840138
 F-558658.01 PLY840139
 F-559320 PLY235478
 F-559585 PLY810110
 F-560565 PLY840120
 F-561957.03 PLY840140
 F-568860 PLY237582
 F-579125 PLY840141
 F-580303 PLY840142

**COMPLETE ALTERNATOR TO
 PULLEY REPLACEMENT
 CROSS REFERENCE**

BOSCH

EXCEL

0 120 000 015
 0 121 615 005
 0 121 615 006
 0 121 615 010
 0 121 715 001
 0 121 715 008
 0 121 715 012
 0 121 715 013
 0 121 715 042
 0 121 813 003
 0 121 813 004
 0 121 813 005
 0 122 0AA 000
 0 122 0AA 0B0
 0 122 0AA 0R0
 0 122 0AA 1P0
 0 122 0AA 2A0
 0 123 310 035
 0 123 310 038
 0 123 310 049
 0 123 320 025
 0 123 320 032
 0 123 320 033
 0 123 320 036
 0 123 320 038
 0 123 320 041
 0 123 320 041
 0 123 320 047
 0 123 320 048
 0 123 320 049
 0 123 320 051
 0 123 320 052
 0 123 320 054
 0 123 320 055
 0 123 320 059
 0 123 320 062
 0 123 320 065
 0 123 325 006
 0 123 340 007
 0 123 510 038
 0 123 510 045
 0 123 510 047
 0 123 510 049
 0 123 510 058
 0 123 510 075
 0 123 510 080
 0 123 510 082

PLY230293
 PLY235732
 PLY330356
 PLY234169
 PLY239914
 PLY235732
 PLY234169
 PLY235721
 PLY235695
 PLY235508
 PLY235721
 PLY235721
 PLY230311
 PLY810110
 PLY810110
 PLY810110
 PLY138203
 PLY138282
 PLY139281
 PLY230083
 PLY138203
 PLY138282
 PLY138282
 PLY139281
 PLY138073
 PLY235478
 PLY138807
 PLY138282
 PLY235478
 PLY230292
 PLY230306
 PLY230306
 PLY230083
 PLY138203
 PLY138807
 PLY230292
 PLY138282
 PLY235478
 PLY138073
 PLY237600
 PLY138203
 PLY138073
 PLY138807
 PLY138807
 PLY138073
 PLY230292

0 123 510 091 PLY230306
 0 123 510 099 PLY138203
 0 123 510 101 PLY138073
 0 123 510 102 PLY138807
 0 123 510 107 PLY230292
 0 123 510 108 PLY230292
 0 123 510 109 PLY230519
 0 123 515 003 PLY230083
 0 123 515 017 PLY139281
 0 123 515 020 PLY139281
 0 123 515 021 PLY138203
 0 123 520 010 PLY138807
 0 123 520 014 PLY234675
 0 123 520 023 PLY230292
 0 123 520 025 PLY230292
 0 124 315 001 PLY230293
 0 124 315 006 PLY230309
 0 124 315 011 PLY230302
 0 124 315 012 PLY230309
 0 124 315 013 PLY230293
 0 124 315 019 PLY233657
 0 124 315 020 PLY235331
 0 124 315 027 PLY233657
 0 124 315 032 PLY230293
 0 124 315 037 PLY235695
 0 124 325 001 PLY230293
 0 124 325 012 PLY230293
 0 124 325 014 PLY230309
 0 124 325 018 PLY230302
 0 124 325 020 PLY230306
 0 124 325 021 PLY230309
 0 124 325 024 PLY231584
 0 124 325 031 PLY231584
 0 124 325 039 PLY235478
 0 124 325 041 PLY235331
 0 124 325 046 PLY235478
 0 124 325 047 PLY230293
 0 124 325 049 PLY230302
 0 124 325 072 PLY233530
 0 124 325 073 PLY230293
 0 124 325 076 PLY235331
 0 124 325 077 PLY235478
 0 124 325 083 PLY230293
 0 124 325 087 PLY233530
 0 124 325 088 PLY234675
 0 124 325 093 PLY235478
 0 124 325 100 PLY814102
 0 124 325 101 PLY230293
 0 124 325 105 PLY235478
 0 124 325 116 PLY233530
 0 124 325 130 PLY230293
 0 124 325 131 PLY230293
 0 124 325 141 PLY235695
 0 124 325 142 PLY235695
 0 124 325 170 PLY235478

| | | | | | |
|---------------|-----------|---------------|-----------|---------------|-----------|
| 0 124 325 178 | PLY230293 | 0 124 525 046 | PLY810127 | 0 124 625 010 | PLY230293 |
| 0 124 415 007 | PLY231584 | 0 124 525 047 | PLY237355 | 0 124 625 010 | PLY237263 |
| 0 124 415 013 | PLY231584 | 0 124 525 048 | PLY234169 | 0 124 625 013 | PLY236531 |
| 0 124 415 014 | PLY231584 | 0 124 525 049 | PLY234169 | 0 124 625 014 | PLY234796 |
| 0 124 415 026 | PLY237280 | 0 124 525 050 | PLY230293 | 0 124 625 017 | PLY235697 |
| 0 124 415 040 | PLY231584 | 0 124 525 057 | PLY230315 | 0 124 625 018 | PLY236531 |
| 0 124 425 018 | PLY238734 | 0 124 525 059 | PLY234169 | 0 124 625 019 | PLY235478 |
| 0 124 425 029 | PLY810126 | 0 124 525 060 | PLY230296 | 0 124 625 019 | PLY234796 |
| 0 124 425 049 | PLY810154 | 0 124 525 062 | PLY235507 | 0 124 625 020 | PLY235478 |
| 0 124 515 004 | PLY236762 | 0 124 525 066 | PLY230293 | 0 124 625 022 | PLY235478 |
| 0 124 515 010 | PLY230293 | 0 124 525 067 | PLY230293 | 0 124 625 024 | PLY230296 |
| 0 124 515 018 | PLY230296 | 0 124 525 069 | PLY810126 | 0 124 625 028 | PLY230293 |
| 0 124 515 019 | PLY230314 | 0 124 525 074 | PLY235506 | 0 124 625 033 | PLY234796 |
| 0 124 515 019 | PLY230296 | 0 124 525 076 | PLY238734 | 0 124 715 003 | PLY230293 |
| 0 124 515 022 | PLY230293 | 0 124 525 083 | PLY234169 | 0 125 525 090 | PLY230293 |
| 0 124 515 024 | PLY230306 | 0 124 525 088 | PLY234795 | 0 125 615 019 | PLY235478 |
| 0 124 515 025 | PLY237600 | 0 124 525 089 | PLY230302 | 0 986 040 170 | PLY138807 |
| 0 124 515 031 | PLY236762 | 0 124 525 092 | PLY230293 | 0 986 040 180 | PLY138073 |
| 0 124 515 054 | PLY230314 | 0 124 525 093 | PLY235506 | 0 986 040 180 | PLY235478 |
| 0 124 515 054 | PLY230296 | 0 124 525 095 | PLY235507 | 0 986 040 860 | PLY138203 |
| 0 124 515 059 | PLY234795 | 0 124 525 097 | PLY810153 | 0 986 040 880 | PLY138282 |
| 0 124 515 061 | PLY235478 | 0 124 525 098 | PLY230293 | 0 986 041 010 | PLY237600 |
| 0 124 515 062 | PLY234793 | 0 124 525 102 | PLY235507 | 0 986 041 300 | PLY139281 |
| 0 124 515 064 | PLY235478 | 0 124 525 103 | PLY235507 | 0 986 041 530 | PLY230292 |
| 0 124 515 073 | PLY230315 | 0 124 525 105 | PLY235439 | 0 986 041 730 | PLY230314 |
| 0 124 515 083 | PLY230302 | 0 124 525 107 | PLY235439 | 0 986 041 730 | PLY230296 |
| 0 124 515 084 | PLY235478 | 0 124 525 114 | PLY230293 | 0 986 041 760 | PLY810110 |
| 0 124 515 088 | PLY234793 | 0 124 525 128 | PLY230293 | 0 986 042 020 | PLY230083 |
| 0 124 515 091 | PLY235478 | 0 124 525 129 | PLY235439 | 0 986 042 610 | PLY230309 |
| 0 124 515 096 | PLY237280 | 0 124 525 137 | PLY238734 | 0 986 042 650 | PLY233657 |
| 0 124 515 098 | PLY234169 | 0 124 525 143 | PLY330716 | 0 986 042 800 | PLY236762 |
| 0 124 515 101 | PLY230293 | 0 124 615 006 | PLY234675 | 0 986 044 400 | PLY230523 |
| 0 124 515 102 | PLY235478 | 0 124 615 009 | PLY234127 | 0 986 044 400 | PLY234149 |
| 0 124 515 110 | PLY234675 | 0 124 615 009 | PLY234795 | 0 986 044 550 | PLY237600 |
| 0 124 515 112 | PLY235733 | 0 124 615 015 | PLY235478 | 0 986 044 850 | PLY230302 |
| 0 124 515 114 | PLY235478 | 0 124 615 017 | PLY230293 | 0 986 045 350 | PLY237263 |
| 0 124 515 115 | PLY235478 | 0 124 615 018 | PLY235478 | 0 986 045 370 | PLY814102 |
| 0 124 515 117 | PLY230293 | 0 124 615 022 | PLY234793 | 0 986 045 410 | PLY230311 |
| 0 124 515 118 | PLY235478 | 0 124 615 023 | PLY236531 | 0 986 046 160 | PLY234795 |
| 0 124 515 121 | PLY230293 | 0 124 615 025 | PLY235478 | 0 986 046 240 | PLY234127 |
| 0 124 515 125 | PLY230293 | 0 124 615 026 | PLY237263 | 0 986 046 250 | PLY237355 |
| 0 124 525 009 | PLY234795 | 0 124 615 027 | PLY230523 | 0 986 046 260 | PLY234127 |
| 0 124 525 010 | PLY230302 | 0 124 615 027 | PLY234127 | 0 986 046 280 | PLY237355 |
| 0 124 525 014 | PLY230296 | 0 124 615 027 | PLY234149 | 0 986 046 320 | PLY235478 |
| 0 124 525 019 | PLY810127 | 0 124 615 028 | PLY234793 | 0 986 046 330 | PLY234796 |
| 0 124 525 021 | PLY230315 | 0 124 615 031 | PLY236531 | 0 986 046 340 | PLY235478 |
| 0 124 525 027 | PLY230293 | 0 124 615 032 | PLY235478 | 0 986 046 520 | PLY230315 |
| 0 124 525 029 | PLY230296 | 0 124 615 033 | PLY235478 | 0 986 047 340 | PLY810126 |
| 0 124 525 032 | PLY234127 | 0 124 615 035 | PLY235478 | 0 986 047 350 | PLY230293 |
| 0 124 525 035 | PLY234127 | 0 124 615 038 | PLY230293 | 0 986 047 450 | PLY237263 |
| 0 124 525 038 | PLY235506 | 0 124 615 042 | PLY235478 | 0124 515 026 | PLY230302 |
| 0 124 525 039 | PLY230293 | 0 124 625 003 | PLY230296 | | |
| 0 124 525 042 | PLY234169 | 0 124 625 004 | PLY235697 | | |
| 0 124 525 045 | PLY234169 | 0 124 625 006 | PLY235478 | | |

excel Alternator to Pulley Cross Reference

| DENSO | EXCEL |
|-------------|-----------|
| 210413410 | PLY133688 |
| 210415230 | PLY135627 |
| 210415890 | PLY135628 |
| 210417370 | PLY135628 |
| 810210060 | PLY136152 |
| 810210070 | PLY136152 |
| 102211-0500 | PLY230314 |
| 104210-3180 | PLY840101 |
| 104210-3370 | PLY840101 |
| 104210-3720 | PLY840107 |
| 104210-9010 | PLY840148 |
| 121000-3843 | PLY840106 |
| 121000-4390 | PLY840106 |
| 421000-0081 | PLY840106 |
| 421000-0082 | PLY840106 |

| FORD | EXCEL |
|-------------|-----------|
| 11 202 13 | PLY234401 |
| 11 406 94 | PLY234401 |
| 1C1T10300BB | PLY235476 |
| 1S7T10300CB | PLY234401 |
| 1S7T10300CC | PLY234401 |
| 1S7T10300CD | PLY234401 |
| 2C1T10300BA | PLY814102 |
| 2S7T10300AA | PLY235479 |
| 3S7T10300AA | PLY235479 |
| 4R8310300AB | PLY840107 |
| YC1010300DA | PLY233657 |
| YC1010300DB | PLY233657 |
| YC1T10300BC | PLY233657 |
| YC1T10300BD | PLY233657 |
| YC1T10300BE | PLY233657 |
| YC1T10300BG | PLY233657 |
| YC1T10300BH | PLY233657 |
| YC1T10300BJ | PLY233657 |
| YC1U10300DA | PLY233657 |
| YC1U10300DB | PLY233657 |
| YC1U10300EA | PLY233657 |

| LUCAS | EXCEL |
|------------|-----------|
| 54200002 | PLY133584 |
| 54207693 | PLY135511 |
| 66201021 | PLY4050 |
| 66201400 | PLY4050 |
| 535009410 | PLY235424 |
| 5350094000 | PLY235424 |
| LRA2120 | PLY230527 |
| LRA2226 | PLY234127 |
| LRA2351 | PLY233989 |
| LRA2367 | PLY237355 |

| | |
|--------|-----------|
| LRB301 | PLY138073 |
| LRB301 | PLY235478 |
| LRB443 | PLY233657 |
| LRB444 | PLY814102 |
| LRB452 | PLY230523 |
| LRB452 | PLY234149 |
| LRB476 | PLY230309 |
| LRB484 | PLY138282 |

| MARELLI | EXCEL |
|----------|-----------|
| 63321497 | PLY830100 |
| 63321501 | PLY830100 |
| 63321507 | PLY830100 |
| 63321743 | PLY235476 |
| 63321804 | PLY830100 |
| 63321805 | PLY830100 |
| 63321826 | PLY830100 |
| 63321859 | PLY830100 |
| 63321817 | PLY235476 |

| MITSUBISHI | EXCEL |
|------------|-----------|
| A002TB6481 | PLY85102 |
| A003TB1081 | PLY230308 |
| A003TB4981 | PLY238068 |
| A003TG0081 | PLY235424 |
| A2TB6481 | PLY230309 |
| A3TB1081 | PLY230308 |
| A3TB1081A | PLY230308 |
| A3TB4981 | PLY238068 |
| A3TG0081 | PLY235424 |
| A628T56070 | PLY135272 |
| A628T61270 | PLY135272 |
| A628X92171 | PLY235424 |

| NISSAN | EXCEL |
|-------------|-----------|
| 2315050405 | PLY133346 |
| 23100-00QAL | PLY233590 |
| 23100-00QBB | PLY231584 |
| 23100-AU400 | PLY233989 |
| 23100-AU420 | PLY233989 |
| 23100-AU424 | PLY233989 |
| 23100-VC100 | PLY230521 |
| 23100-VC101 | PLY230521 |
| 2315002N09 | PLY136157 |
| 2315043G07 | PLY136159 |
| 23150W1705 | PLY135272 |

| POONG-SUNG | EXCEL |
|------------|-----------|
| 02131-9040 | PLY230527 |
| 02131-9070 | PLY230527 |

| | |
|------------|-----------|
| 02131-9110 | PLY233990 |
| 02131-9111 | PLY233990 |
| 02131-9112 | PLY233990 |
| 03130-9040 | PLY230527 |

| VALEO | EXCEL |
|---------|-----------|
| 437114 | PLY230297 |
| 437208 | PLY230524 |
| 437210 | PLY230523 |
| 437210 | PLY234149 |
| 437351 | PLY233590 |
| 437364 | PLY234795 |
| 437375 | PLY238426 |
| 437377 | PLY230302 |
| 437415 | PLY233847 |
| 437430 | PLY234793 |
| 437435 | PLY238426 |
| 437448 | PLY235479 |
| 437449 | PLY238426 |
| 437471 | PLY234794 |
| 437473 | PLY236995 |
| 437474 | PLY236995 |
| 437489 | PLY138073 |
| 437503 | PLY236995 |
| 437504 | PLY236995 |
| 437522 | PLY138807 |
| 437534 | PLY230292 |
| 437544 | PLY238339 |
| 437548 | PLY139281 |
| 437611 | PLY236762 |
| 437622 | PLY231584 |
| 437626 | PLY810110 |
| 437656 | PLY139281 |
| 437690 | PLY233657 |
| 437696 | PLY138282 |
| 437742 | PLY230309 |
| 437755 | PLY230527 |
| 439232 | PLY230297 |
| 439341 | PLY233590 |
| 439383 | PLY235479 |
| 439395 | PLY234795 |
| 439419 | PLY238426 |
| 439455 | PLY233847 |
| 439471 | PLY234793 |
| 439476 | PLY238426 |
| 439483 | PLY235479 |
| 439484 | PLY238426 |
| 439505 | PLY236995 |
| 439509 | PLY236995 |
| 439523 | PLY236995 |
| 439524 | PLY236995 |
| 2542232 | PLY230302 |
| 2542460 | PLY238426 |

| | | | |
|----------|-----------|----------|-----------|
| 2542470 | PLY85102 | SG12B095 | PLY233590 |
| 2542508 | PLY230302 | SG12B108 | PLY233590 |
| 2542509 | PLY234795 | SG14B011 | PLY230302 |
| 2542523 | PLY233590 | SG14B016 | PLY234795 |
| 2542548 | PLY231584 | SG14B017 | PLY238426 |
| 2542609 | PLY238426 | SG15L012 | PLY233847 |
| 2542653 | PLY230524 | SG15L026 | PLY233847 |
| 2542693 | PLY234794 | SG15S018 | PLY230523 |
| 2542737 | PLY23579 | SG15S018 | PLY234149 |
| 2542738 | PLY234795 | SG15S022 | PLY230523 |
| 2542749 | PLY238426 | SG15S022 | PLY234149 |
| 2542753 | PLY238426 | SG8B013 | PLY230293 |
| 2542771 | PLY233847 | SG9B015 | PLY230293 |
| 2542830 | PLY235479 | SG9B033 | PLY231584 |
| 2542832 | PLY234794 | SG9B038 | PLY230310 |
| 2542234A | PLY230302 | SG9B039 | PLY230297 |
| 2542414A | PLY230297 | SG9B047 | PLY231584 |
| 2542524A | PLY233847 | TG12C013 | PLY235479 |
| 2542582B | PLY234793 | TG12C016 | PLY235479 |
| 2542653A | PLY230524 | TG14C011 | PLY230293 |
| 2542693A | PLY234794 | TG15C020 | PLY234794 |
| 437346 | PLY230297 | TG15C028 | PLY234794 |
| A13VI137 | PLY230083 | TG15C038 | PLY234794 |
| A13VI178 | PLY230297 | TG15C053 | PLY234794 |
| A13VI202 | PLY230297 | TG8S010 | PLY236995 |
| A13VI237 | PLY230297 | TG8S012 | PLY236995 |
| A13VI257 | PLY230310 | TG8S013 | PLY236995 |
| A13VI285 | PLY230522 | TG9S010 | PLY236995 |
| A13VI289 | PLY230522 | TG9S015 | PLY236995 |
| A13VI292 | PLY230522 | | |
| A13VI297 | PLY230522 | | |
| A14VI35 | PLY230523 | | |
| A14VI35 | PLY234149 | | |
| A14VI41 | PLY230523 | | |
| A14VI41 | PLY234149 | | |
| A14VI41 | PLY234149 | | |
| SG10B016 | PLY231584 | | |
| SG10B019 | PLY230522 | | |
| SG10B020 | PLY231584 | | |
| SG10B032 | PLY230522 | | |
| SG10B048 | PLY234795 | | |
| SG11B010 | PLY238426 | | |
| SG12B010 | PLY230302 | | |
| SG12B015 | PLY230293 | | |
| SG12B038 | PLY230309 | | |
| SG12B044 | PLY238426 | | |
| SG12B047 | PLY234795 | | |
| SG12B049 | PLY230302 | | |
| SG12B050 | PLY233590 | | |
| SG12B062 | PLY234793 | | |
| SG12B065 | PLY238426 | | |
| SG12B071 | PLY230524 | | |
| SG12B074 | PLY230302 | | |
| SG12B075 | PLY234795 | | |

FREE WHEEL **EXCEL**

| Ribs | ID | OD | W | |
|------|----|-------|-------|-----------|
| 1.. | 17 | 55.5 | 34.2 | PLY840128 |
| 1.. | 17 | 62.6 | 26.3 | PLY232149 |
| 4.. | 17 | 55 | | PLY840151 |
| 5.. | 17 | 50 | 40.55 | PLY233847 |
| 5.. | 17 | 52 | 36.5 | PLY238339 |
| 5.. | 17 | 54 | | PLY840153 |
| 5.. | 17 | 54 | | PLY840156 |
| 5.. | 17 | 55 | 49.55 | PLY230297 |
| 5.. | 17 | 55 | | PLY230313 |
| 5.. | 17 | 55.4 | 39 | PLY233590 |
| 5.. | 17 | 56 | | PLY331651 |
| 5.. | 17 | 57 | 49.55 | PLY230310 |
| 5.. | 17 | 57.5 | 42.3 | PLY810126 |
| 5.. | 17 | 58.2 | 43 | PLY236762 |
| 5.. | 17 | 58.4 | 40.62 | PLY235732 |
| 5.. | 17 | 59 | 35.7 | PLY810140 |
| 5.. | 17 | 60 | 42.8 | PLY237280 |
| 5.. | 17 | 60 | 43 | PLY810146 |
| 5.. | 17 | 61 | 35 | PLY230302 |
| 5.. | 17 | 61 | 37.2 | PLY138282 |
| 5.. | 17 | 61 | 37.2 | PLY230309 |
| 5.. | 17 | 61 | 37.24 | PLY235507 |
| 5.. | 17 | 61 | 37.6 | PLY815102 |
| 5.. | 17 | 61 | 40.3 | PLY840115 |
| 5.. | 17 | 61 | 43 | PLY810152 |
| 5.. | 17 | 63.4 | 38.3 | PLY236332 |
| 5.. | 17 | 64 | 35 | PLY230527 |
| 5.. | 17 | 65 | 39.85 | PLY235479 |
| 5.. | 17 | 65.5 | 37.5 | PLY235696 |
| 5.. | 17 | 66 | 39 | PLY840147 |
| 5.. | 17 | 66.4 | 39.9 | PLY840141 |
| 6.. | 15 | 62 | 33 | PLY840134 |
| 6.. | 17 | 49 | | PLY237610 |
| 6.. | 17 | 49.8 | 35.6 | PLY230307 |
| 6.. | 17 | 50 | 36.4 | PLY840135 |
| 6.. | 17 | 53 | | PLY840154 |
| 6.. | 17 | 53 | | PLY840159 |
| 6.. | 17 | 53.3 | 38.25 | PLY238426 |
| 6.. | 17 | 54 | 40.3 | PLY820104 |
| 6.. | 17 | 54 | | PLY330921 |
| 6.. | 17 | 54 | | PLY840166 |
| 6.. | 17 | 54.1 | 33.5 | PLY234056 |
| 6.. | 17 | 54.65 | 36.75 | PLY230523 |
| 6.. | 17 | 54.7 | 41.05 | PLY840137 |
| 6.. | 17 | 55 | 36.5 | PLY235478 |
| 6.. | 17 | 55 | 36.6 | PLY810110 |
| 6.. | 17 | 55 | 40 | PLY840120 |
| 6.. | 17 | 55 | 40.15 | PLY235695 |
| 6.. | 17 | 55 | 40.5 | PLY230292 |

| Ribs | ID | OD | W | |
|------|----|-------|-------|-----------|
| 6.. | 17 | 55 | 40.65 | PLY139281 |
| 6.. | 17 | 55 | 50 | PLY840112 |
| 6.. | 17 | 55 | | PLY840152 |
| 6.. | 17 | 55 | | PLY840165 |
| 6.. | 17 | 55.4 | 35.3 | PLY233530 |
| 6.. | 17 | 55.4 | 35.3 | PLY234169 |
| 6.. | 17 | 55.4 | 36.3 | PLY235506 |
| 6.. | 17 | 55.4 | 36.5 | PLY237355 |
| 6.. | 17 | 55.4 | 36.8 | PLY234796 |
| 6.. | 17 | 55.4 | 39.8 | PLY230524 |
| 6.. | 17 | 55.4 | 41.5 | PLY840101 |
| 6.. | 17 | 55.4 | 41.7 | PLY810127 |
| 6.. | 17 | 55.5 | 50.9 | PLY330221 |
| 6.. | 17 | 55.5 | 63.5 | PLY330716 |
| 6.. | 17 | 55.5 | 63.5 | PLY840126 |
| 6.. | 17 | 56 | | PLY237320 |
| 6.. | 17 | 56 | | PLY840167 |
| 6.. | 17 | 56.5 | 40.3 | PLY233989 |
| 6.. | 17 | 57 | 37.7 | PLY230305 |
| 6.. | 17 | 58 | 35 | PLY230315 |
| 6.. | 17 | 58 | 40.9 | PLY330287 |
| 6.. | 17 | 58 | 40.9 | PLY814106 |
| 6.. | 17 | 58 | 40.9 | PLY840106 |
| 6.. | 17 | 58 | 45 | PLY810153 |
| 6.. | 17 | 58 | | PLY840158 |
| 6.. | 17 | 58.5 | 32.6 | PLY234149 |
| 6.. | 17 | 59 | 33.6 | PLY840131 |
| 6.. | 17 | 59 | 35.3 | PLY234127 |
| 6.. | 17 | 59 | 38.05 | PLY840157 |
| 6.. | 17 | 59 | 38.3 | PLY235424 |
| 6.. | 17 | 59 | 38.45 | PLY234401 |
| 6.. | 17 | 59 | 40 | PLY234794 |
| 6.. | 17 | 59 | 40 | PLY236995 |
| 6.. | 17 | 59 | 41 | PLY235503 |
| 6.. | 17 | 59 | 42.3 | PLY235505 |
| 6.. | 17 | 59 | 44.8 | PLY330339 |
| 6.. | 17 | 59 | | PLY237619 |
| 6.. | 17 | 59 | | PLY330895 |
| 6.. | 17 | 59.7 | 37.6 | PLY235733 |
| 6.. | 17 | 59.7 | 40.6 | PLY238733 |
| 6.. | 17 | 60 | 39 | PLY840110 |
| 6.. | 17 | 60.16 | 43.1 | PLY230314 |
| 6.. | 17 | 61 | 34.7 | PLY810150 |
| 6.. | 17 | 61 | 35.7 | PLY138807 |
| 6.. | 17 | 61 | 36.5 | PLY230306 |
| 6.. | 17 | 61 | 36.5 | PLY235331 |
| 6.. | 17 | 61 | 36.5 | PLY237600 |
| 6.. | 17 | 61 | 36.6 | PLY230526 |
| 6.. | 17 | 61 | 37 | PLY235476 |
| 6.. | 17 | 61 | 37.6 | PLY230519 |
| 6.. | 17 | 61 | 37.7 | PLY138073 |
| 6.. | 17 | 61 | 37.8 | PLY230296 |
| 6.. | 17 | 61 | 38.85 | PLY234659 |
| 6.. | 17 | 61 | 41.5 | PLY840127 |

| Ribs | ID | OD | W | |
|------|----|-------|-------|-----------|
| 6.. | 17 | 61 | 42.36 | PLY230522 |
| 6.. | 17 | 61 | 42.45 | PLY138203 |
| 6.. | 17 | 61 | 45 | PLY230293 |
| 6.. | 17 | 62 | 35.6 | PLY234795 |
| 6.. | 17 | 62 | 37 | PLY814103 |
| 6.. | 17 | 62 | | PLY840162 |
| 6.. | 17 | 63 | 36.65 | PLY840102 |
| 6.. | 17 | 63 | 41.6 | PLY840113 |
| 6.. | 17 | 63 | 49.3 | PLY239914 |
| 6.. | 17 | 63 | 49.3 | PLY840122 |
| 6.. | 17 | 63 | 51 | PLY840140 |
| 6.. | 17 | 63 | 51.8 | PLY840107 |
| 6.. | 17 | 63 | 51.8 | PLY840123 |
| 6.. | 17 | 63.7 | 45.3 | PLY810154 |
| 6.. | 17 | 64 | 35.6 | PLY233990 |
| 6.. | 17 | 64 | 38.7 | PLY235157 |
| 6.. | 17 | 64 | 41.3 | PLY238690 |
| 6.. | 17 | 64 | 51 | PLY840109 |
| 6.. | 17 | 64.25 | 37.8 | PLY840136 |
| 6.. | 17 | 64.25 | 37.8 | PLY840138 |
| 6.. | 17 | 64.3 | 34.60 | PLY330356 |
| 6.. | 17 | 65.3 | 44.3 | PLY840149 |
| 6.. | 17 | 65.5 | 37.4 | PLY830100 |
| 6.. | 17 | 65.5 | 38.47 | PLY237500 |
| 6.. | 17 | 65.5 | 38.47 | PLY840104 |
| 6.. | 17 | 65.5 | 38.5 | PLY230308 |
| 6.. | 17 | 65.5 | 38.7 | PLY234867 |
| 6.. | 17 | 65.5 | 40.4 | PLY235719 |
| 6.. | 17 | 67 | 53 | PLY840125 |
| 6.. | 17 | 68.6 | 44 | PLY840144 |
| 6.. | 17 | 69 | 33.9 | PLY840130 |
| 6.. | 17 | 69 | 34.6 | PLY840145 |
| 6.. | 17 | 70 | 35 | PLY840111 |
| 6.. | 17 | 70 | 38.5 | PLY840139 |
| 6.. | 17 | 73 | 41.6 | PLY234675 |
| 6.. | 17 | 76 | 33.6 | PLY236531 |
| 6.. | 17 | 78.6 | 40.2 | PLY231584 |
| 6.. | 17 | 78.6 | 40.2 | PLY815101 |
| 7.. | 15 | 58 | | PLY840160 |
| 7.. | 15 | 58 | | PLY840163 |
| 7.. | 15 | 60 | 39 | PLY840133 |
| 7.. | 15 | 63 | 41.4 | PLY840148 |
| 7.. | 17 | 49 | | PLY840164 |
| 7.. | 17 | 53 | 37.5 | PLY238734 |
| 7.. | 17 | 53.3 | 34.4 | PLY840118 |
| 7.. | 17 | 53.3 | 42.5 | PLY330200 |
| 7.. | 17 | 54 | | PLY840155 |
| 7.. | 17 | 54.5 | 52 | PLY840143 |
| 7.. | 17 | 55 | 40 | PLY230311 |
| 7.. | 17 | 55 | 49 | PLY235812 |
| 7.. | 17 | 55.4 | 40.8 | PLY235697 |
| 7.. | 17 | 57 | 49 | PLY840124 |
| 7.. | 17 | 59 | 41.5 | PLY820103 |

| Ribs | ID | OD | W | |
|------|----|------|-------|-----------|
| 7 | 17 | 59 | 42.2 | PLY820105 |
| 7 | 17 | 60 | 46.2 | PLY234793 |
| 7 | 17 | 60.5 | | PLY840119 |
| 7 | 17 | 61 | 36.6 | PLY237263 |
| 7 | 17 | 61 | 36.7 | PLY814102 |
| 7 | 17 | 61.5 | 35.10 | PLY233657 |
| 7 | 17 | 62.7 | 39.4 | PLY235720 |
| 7 | 17 | 64 | 40 | PLY840132 |
| 7 | 17 | 64 | 40.6 | PLY230521 |
| 7 | 17 | 64 | 41.6 | PLY840146 |
| 7 | 17 | 65 | 35 | PLY840129 |
| 7 | 17 | 65 | | PLY840161 |
| 7 | 17 | 69 | 39.5 | PLY840117 |
| 7 | 17 | 74 | 42.5 | PLY237674 |
| 7 | 17 | 75.3 | 41 | PLY840142 |

| | | | | |
|---|----|------|-------|-----------|
| 8 | 17 | 55 | 39.95 | PLY235721 |
| 8 | 17 | 55 | 40.5 | PLY810116 |
| 8 | 17 | 55 | 43.4 | PLY235508 |
| 8 | 17 | 55 | 52.3 | PLY815114 |
| 8 | 17 | 55.5 | 36.5 | PLY815116 |
| 8 | 17 | 61 | 70 | PLY840121 |
| 8 | 17 | 61.8 | 37.4 | PLY840116 |
| 8 | 17 | 61.8 | 45.5 | PLY840114 |
| 8 | 17 | 62.7 | 36.1 | PLY235439 |
| 8 | 17 | 65 | 39 | PLY238068 |
| 8 | 17 | 79 | 41.35 | PLY810601 |
| 8 | 17 | 79 | 45.65 | PLY810602 |

10 17.....62.....PLY235793

4 x 2.....17.....60.....PLY840150



SINGLE EXCEL

BELT TYPE AUTOMOTIVE 9.5mm

| Ribs | ID | OD | W | |
|------|----|-------|-------|-----------|
| 1 | 15 | 68.6 | 21.8 | PLY4050 |
| 1 | 17 | 65 | 16.5 | PLY11120 |
| 1 | 17 | 67 | 49 | PLY131200 |
| 1 | 17 | 74.95 | 16.25 | PLY137962 |
| 1 | 17 | 62 | 16.6 | PLY138339 |
| 1 | | 66 | 20.4 | PLY133405 |

BELT TYPE A 12.5mm

| Ribs | ID | OD | W | |
|------|-------|------|------|-----------|
| 1 | 15 | 74.4 | 21 | PLY136152 |
| 1 | 15.88 | 78.5 | 19.3 | PLY232159 |
| 1 | 17 | 83.5 | 17 | PLY131048 |

| Ribs | ID | OD | W | |
|------|-------|-------|-------|-----------|
| 1 | 17 | 93.65 | 20 | PLY135057 |
| 1 | 17 | 73.45 | 20.75 | PLY135272 |
| 1 | 17 | 66.1 | 23.5 | PLY232084 |
| 1 | 17 | 93.5 | 20 | PLY40500 |
| 1 | 22.23 | 90.6 | 33.6 | PLY232110 |

BELT TYPE B 17.5mm

| Ribs | ID | OD | W | |
|------|----|------|------|-----------|
| 1 | 15 | 93.5 | 25.4 | PLY133883 |
| 1 | 15 | 75.9 | 36.5 | PLY135627 |
| 1 | 17 | 94.2 | 23.2 | PLY139248 |
| 1 | 17 | 88.3 | 26.1 | PLY230505 |

BELT TYPE 16-19mm

| Ribs | ID | OD | W | |
|------|----|------|------|-----------|
| 1 | 17 | 62.6 | 26.3 | PLY232149 |



DOUBLE EXCEL

BELT TYPE AUTOMOTIVE 9.5mm

| Ribs | ID | OD | W | |
|------|-------|-------|-------|-----------|
| 2 | 15 | 65.65 | 30.65 | PLY133346 |
| 2 | 15 | 66.65 | 32.5 | PLY133584 |
| 2 | 15.88 | 72.3 | 30 | PLY232160 |

BELT TYPE AUTOMOTIVE 9.5mm

| Ribs | ID | OD | W | |
|------|----|-------|-------|-----------|
| 2 | 17 | 65.8 | 38.2 | PLY11165 |
| 2 | 17 | 61 | 34.5 | PLY131928 |
| 2 | 17 | 82 | 30 | PLY135744 |
| 2 | 17 | 79.5 | 34.8 | PLY136157 |
| 2 | 17 | 79 | 36.9 | PLY136159 |
| 2 | 17 | 72.3 | 34.3 | PLY136453 |
| 2 | 17 | 67.6 | 53.3 | PLY232077 |
| 2 | 17 | 84.2 | 33 | PLY70005 |
| 2 | 20 | 66.95 | 38 | PLY133688 |
| 2 | 20 | 77.1 | 45.55 | PLY135628 |
| 2 | 22 | 95.4 | 59 | PLY232332 |

BELT TYPE A 12.5mm

| Ribs | ID | OD | W | |
|------|-------|-------|-------|-----------|
| 2 | 15 | 74.6 | 39.1 | PLY137699 |
| 2 | 15.88 | 79 | 35.75 | PLY232161 |
| 2 | 17 | 71.5 | 50 | PLY133952 |
| 2 | 17 | 87 | 35.2 | PLY134684 |
| 2 | 17 | 72.1 | 37.1 | PLY134920 |
| 2 | 17 | 81.6 | 54.6 | PLY232076 |
| 2 | 17 | 91.9 | 36.8 | PLY234029 |
| 2 | 22.23 | 78.8 | 40 | PLY131176 |
| 2 | 22.23 | 88 | 59 | PLY232103 |
| 2 | 22.35 | 84.3 | 41.6 | PLY232141 |
| 2 | 30 | 106.8 | 35 | PLY137818 |

BELT TYPE B 17.5mm

| Ribs | ID | OD | W | |
|------|-------|------|------|-----------|
| 2 | 17 | 78.9 | 48 | PLY232151 |
| 2 | 22.23 | 93.8 | 82.5 | PLY232118 |
| 2 | 22.23 | 91.3 | 45.9 | PLY232168 |

TRIPLE EXCEL

BELT TYPE B 17.5mm

| Ribs | ID | OD | W | |
|------|-------|-------|------|-----------|
| 3 | 22.23 | 108.1 | 56.7 | PLY232146 |



FIXED EXCEL

| Ribs | ID | OD | W | |
|------|-------|-------|-------|-----------|
| 4 | 17 | 60 | 18.95 | PLY135511 |
| 5 | 15 | 50 | 26.1 | PLY136081 |
| 5 | 15 | 100 | 39 | PLY136956 |
| 5 | 17 | 56.5 | 31.8 | PLY136215 |
| 5 | 17 | 65.5 | 36.5 | PLY232337 |
| 5 | 17 | 56.5 | 37 | PLY234365 |
| 5 | 22 | 80 | 63 | PLY230826 |
| 6 | 15 | 54.3 | 32.3 | PLY230534 |
| 6 | 17 | 54.6 | 29 | PLY133742 |
| 6 | 17 | 70 | 27.2 | PLY135426 |
| 6 | 17 | 61.95 | 37.3 | PLY139412 |
| 6 | 17 | 54 | 25.75 | PLY230288 |
| 6 | 17 | 55 | 28.3 | PLY230503 |
| 6 | 17 | 54.4 | 25.5 | PLY232349 |
| 7 | 17 | 56.7 | 29.3 | PLY137095 |
| 8 | 17 | 50 | 36.26 | PLY135606 |
| 8 | 17 | 72 | 36.8 | PLY231092 |
| 8 | 17 | 62.5 | 39 | PLY232132 |
| 8 | 17 | 66.8 | 34.4 | PLY232136 |
| 8 | 17 | 64.1 | 36.4 | PLY232139 |
| 8 | 17 | 50 | 34.8 | PLY233940 |
| 8 | 19 | 58 | 45 | PLY232095 |
| 8 | 22 | 74 | 45 | PLY232152 |
| 8 | 22.23 | 82.6 | 37.6 | PLY11168 |
| 8 | 22.23 | 57 | 38 | PLY11171 |
| 9 | 22.23 | 72 | 40.4 | PLY11166 |
| 10 | 17 | 62 | | PLY235793 |

PLT210843

Shaft: 76mm
 1/2" Socket
 22mm hex x 33 teeth
 XZN 10 x 110mm

Application:
 Assembly of INA, BOSCH,
 VALEO

Common



PLT210877

Shaft: 76mm
 1/2" socket
 XZN 10 x 112mm

Application:
 RENAULT. Assembly of Rubber
 Clutch Pulley



PLT210909

Shaft: 76mm
 1/2" socket
 22mm hex x 33 teeth
 Torx 50 x 110mm

Application:
 Assembly of INA, VALEO



PLT210948

Shaft: 114mm
 1/2" socket
 22mm hex x 33 teeth
 XZN 10 x 135mm

Application:
 Assembly of INA BOSCH, long
 shaft and RotorX decoupler
 pulleys.



Extra Long



PLT30000

Shaft: 76mm

Application:
 VOLVO. Assembly of INA,
 DENSO.



PLT30001

Shaft: 76mm

1/2" socket
 17 x 35mm hex
 XZN 10 x 110mm

Application:
 Japanese. Assembly of DENSO.



Common



Disclaimer

Original equipment names and numbers used for reference purposes only.

Warranty statement

All pulleys covered by 2 year manufacturer warranty. Warranty void if signs of external damage. Warranty limited to replacement of defective part. Excludes pulley tools.



Dasko Marketing NZ Limited
Free: 0508 432 756
Email: sales@dasko.co.nz
Web: www.dasko.co.nz

Dasko Auckland
7 David McCathie Place
Silverdale,
Auckland 0932
New Zealand
Tel: +64 9 280 4813
Fax: +64 9 442 1552

PH: 0508 432 756

www.excelauto.co.nz

Automotive Excellence

www.excelauto.co.nz